

HARDWARE
steel angle L bracket + cover

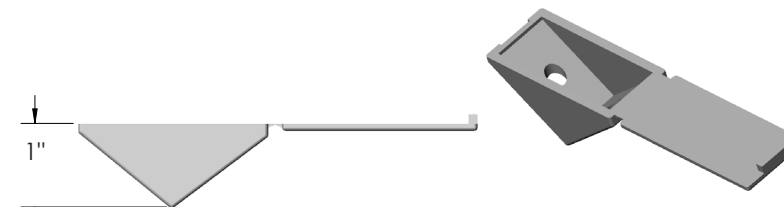
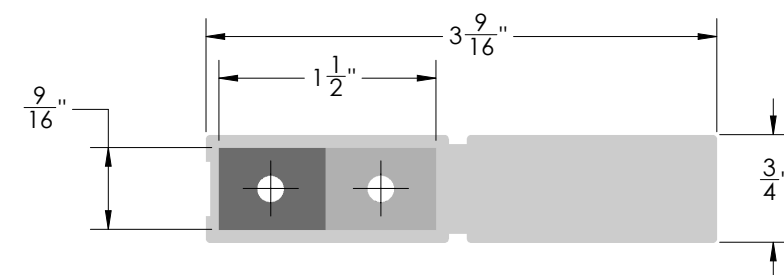
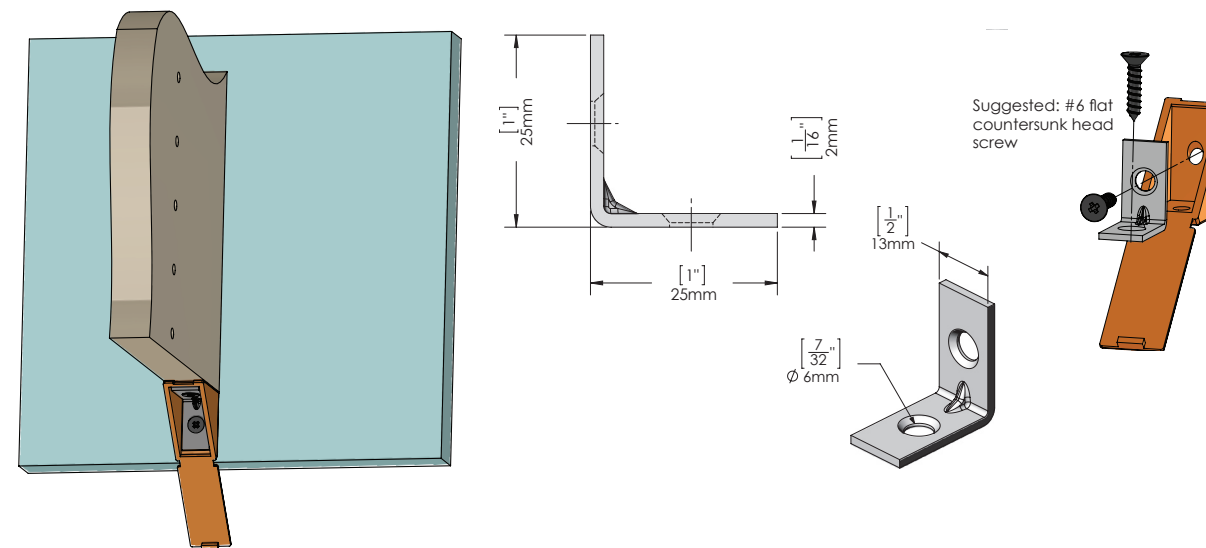
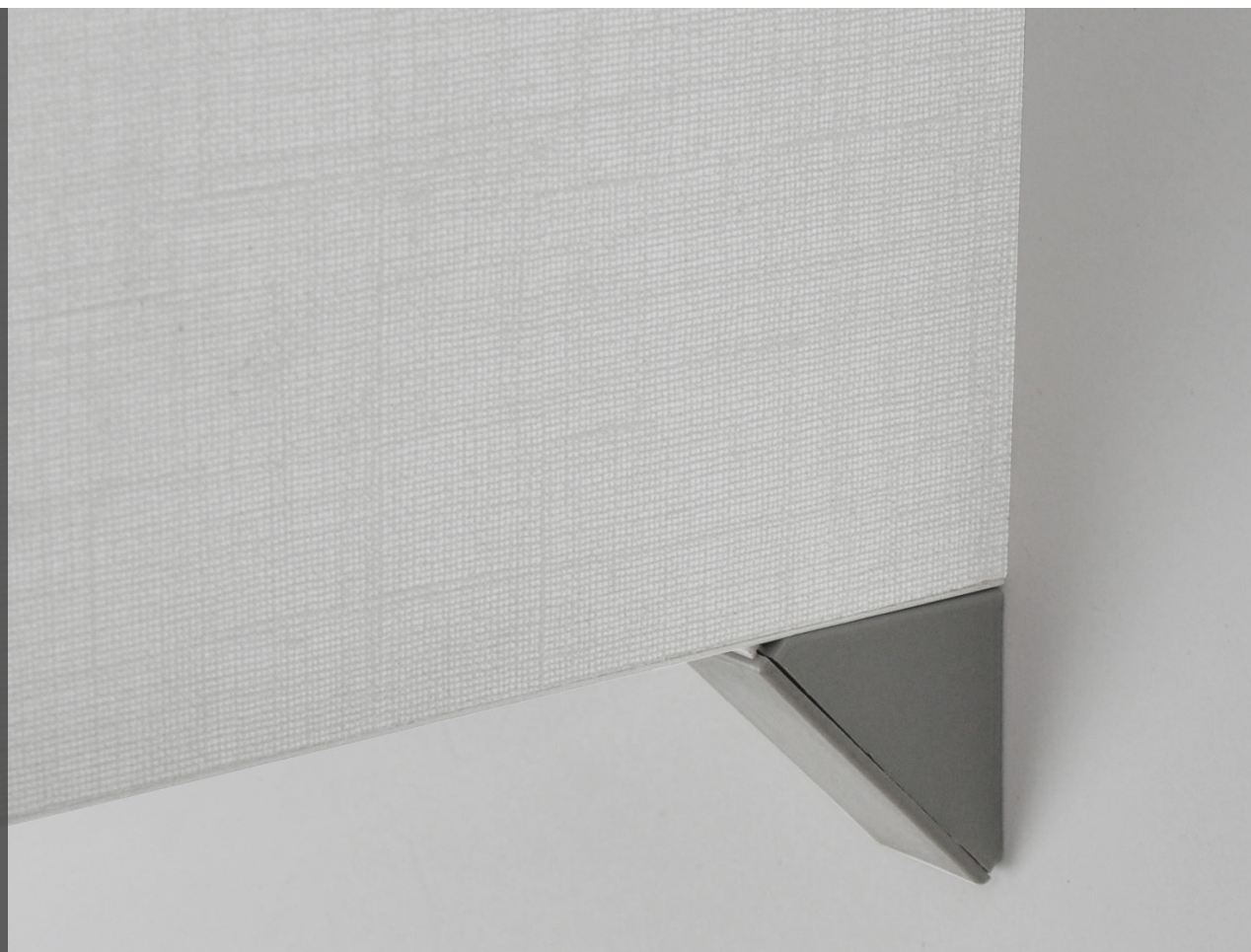
BRACKET 300.4660
COVER 300.4661.xxx

FEATURES

Secures the bottom edge of the partitions to the wall and provides additional support

L bracket is also useful for toe kicks and crowns

Angle bracket covers hide the hardware for a beautifully finished closet



DIMENSIONS

SPECS



BRACKET FINISH:



COVER FINISH:



OPTIONS

FINISHED PRODUCT



300.4660 + 300.4661.BLK