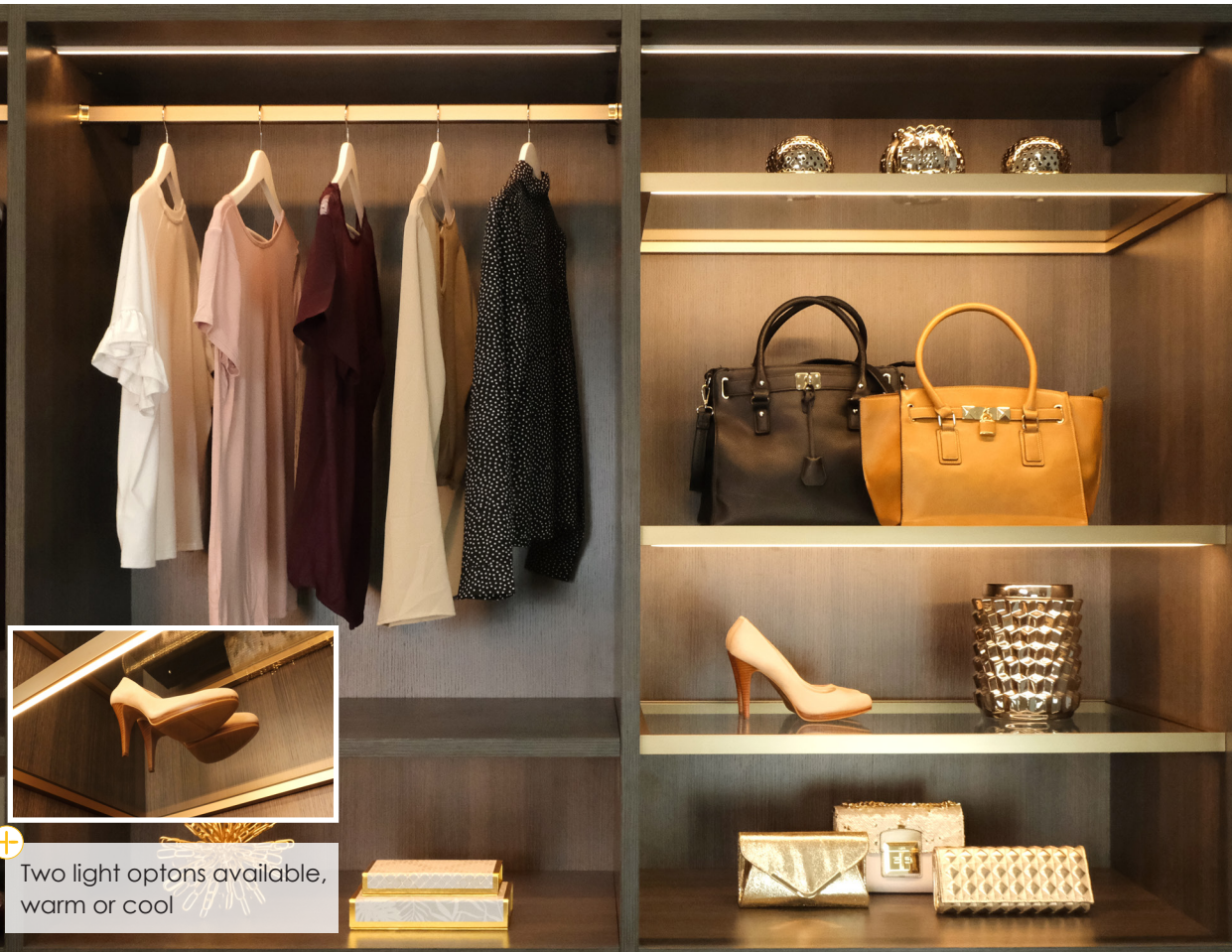


illuminated glass shelf

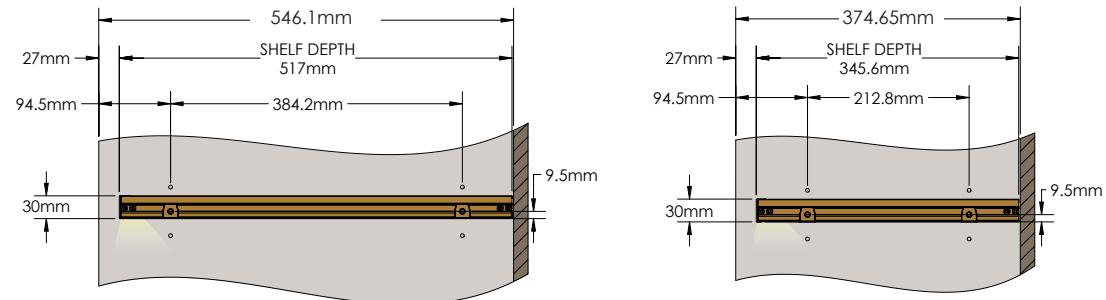
14" 310.1200.xx.xx.xxx
21" 310.2200.xx.xx.xxx
Filler 310.2123.xx.xxx

FEATURES

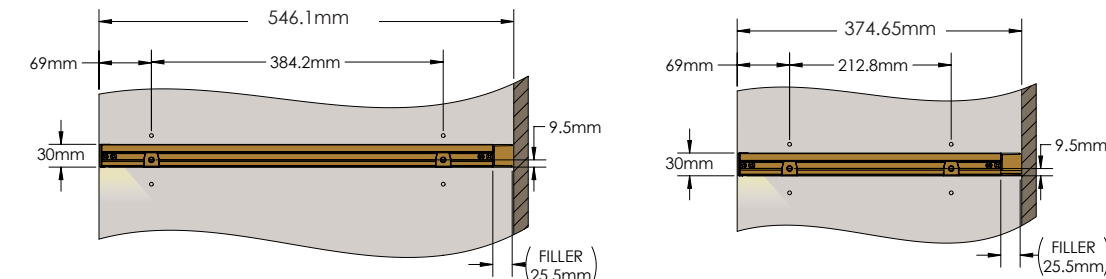
- Great way to showcase jewelry, ties, belt, or sunglasses in the organizer below
- Integrated illumination – works with the Loox LED lighting system
- Shelf frame finish coordinates with other accessories, and the glass coordinates with drawer faces
- The Glass Shelf Filler piece extends the shelf to the back panel in a Paxton design without doors.



Two light options available, warm or cool

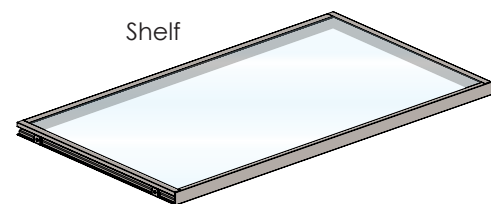


With Filler:

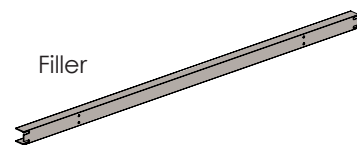


DIMENSIONS

SPECS



Shelf

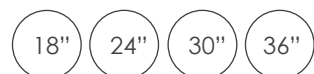


Filler

14"	21"
310.1200.18.xx.xxx (LIGHT)(FINISH)	310.2200.18.xx.xxx (LIGHT)(FINISH)
310.1200.24.xx.xxx	310.2200.24.xx.xxx
310.1200.30.xx.xxx	310.2200.30.xx.xxx
310.1200.36.xx.xxx	310.2200.36.xx.xxx

Filler
310.2123.18.xxx (FINISH)
310.2123.24.xxx
310.2123.30.xxx
310.2123.36.xxx

WIDTH:



DEPTH:



FINISH:



LIGHT:



LOAD CAPACITY

The maximum recommended static load capacity for the Illuminated Glass Shelf is 25 kg (55 lbs). Under this load, the expected maximum deflection in the middle of the shelf would be ≤ 1mm.



310.2200.36.xx.SG

FINISHED PRODUCT

OPTIONS