

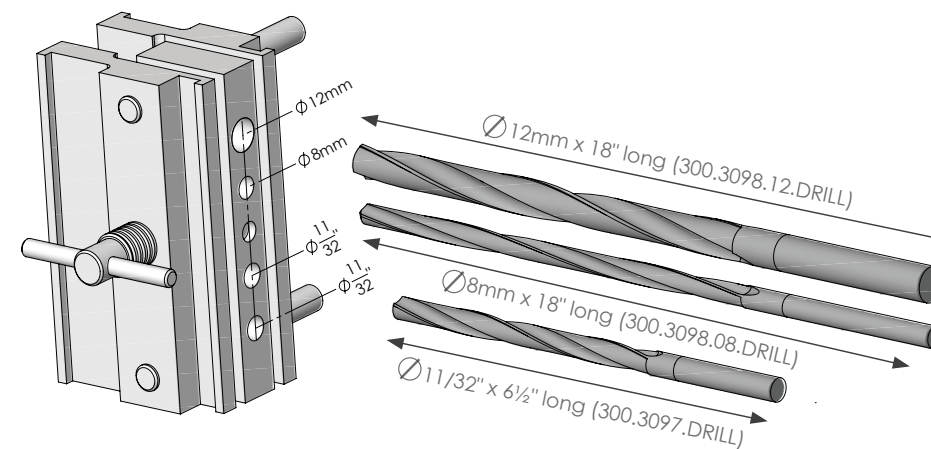
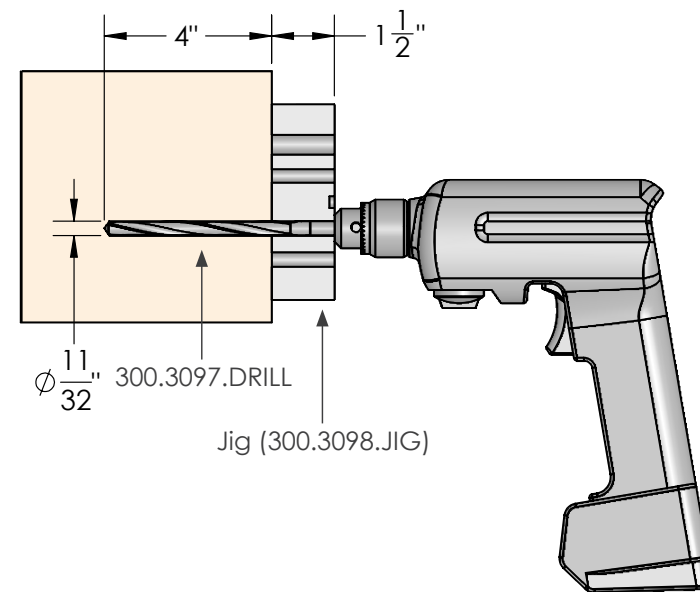
HARDWARE
mount jig + drill bits

300.3098.JIG/ 300.3097.DRILL/
300.3098.08.DRILL/
300.3098.12.DRILL

FEATURES

Drilling jig provides two custom holes @ 11/32" diameter for use with the Valet Pin (300.3097.xxx)

Includes bonus 8mm and 12mm holes needed for LED wiring



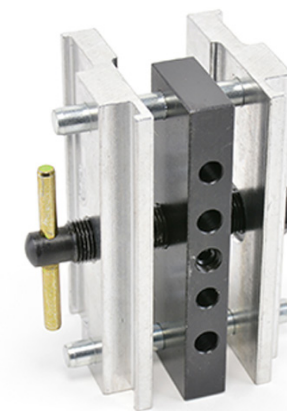
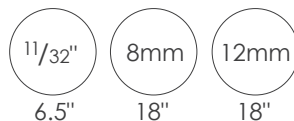
**VALET PIN
INSTALLATION**

DIMENSIONS

SPECS

300.3098.JIG + 300.3097.DRILL
 300.3098.08.DRILL
 300.3098.12.DRILL

DRILL SIZE:



300.3098.JIG

**FINISHED
PRODUCT**

OPTIONS