

**POLES & CUPS**  
capped closet pole + cups

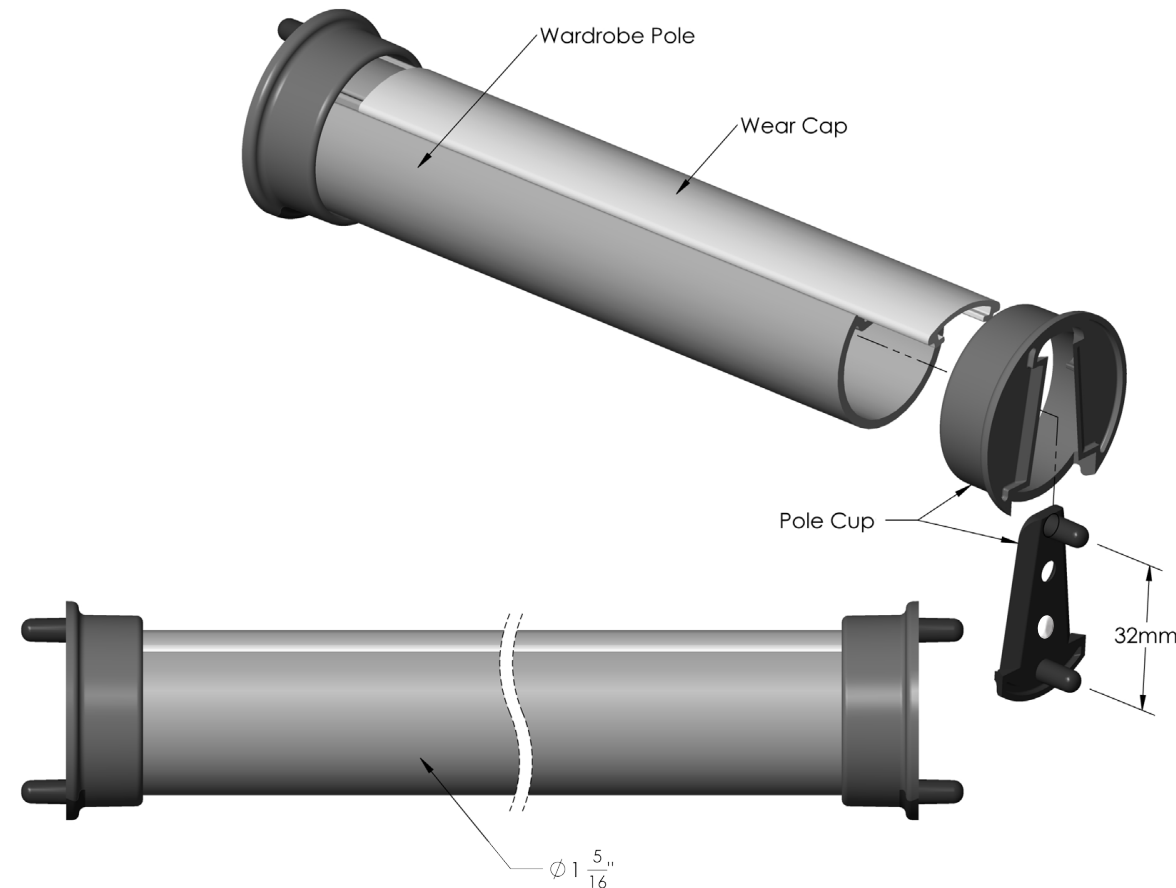
POLE 300.3047.xxx  
POLE CUP 300.3037.xxx

**FEATURES**

Provides storage space for wrinkle-free coats, jackets and other garments

- Features hardened plastic cap on top for smooth and quiet gliding of hangers

- Pole cups feature patented design that completely covers the ends of the capped closet poles



**DIMENSIONS**

**SPECS**

<p>POLE</p> <p>300.3047.<sup>(FINISH)</sup>xxx</p>	+	<p>POLE CUP</p> <p>300.3037.<sup>(FINISH)</sup>xxx</p>
----------------------------------------------------	---	--------------------------------------------------------

**LENGTH:**

96"

**FINISH:**

- |                 |                |              |           |            |                   |
|-----------------|----------------|--------------|-----------|------------|-------------------|
| <b>CR</b>       | <b>MAL</b>     | <b>MNL</b>   | <b>SG</b> | <b>MG</b>  | <b>ORB</b>        |
| POLISHED CHROME | MATTE ALUMINUM | MATTE NICKEL | SLATE     | MATTE GOLD | OIL RUBBED BRONZE |

**OPTIONS**



300.3037.MAL  
PATENT #: 7597297



300.3047.MAL

**FINISHED PRODUCT**