

**ELITE**  
belt rack

310.3010.xx.xxx

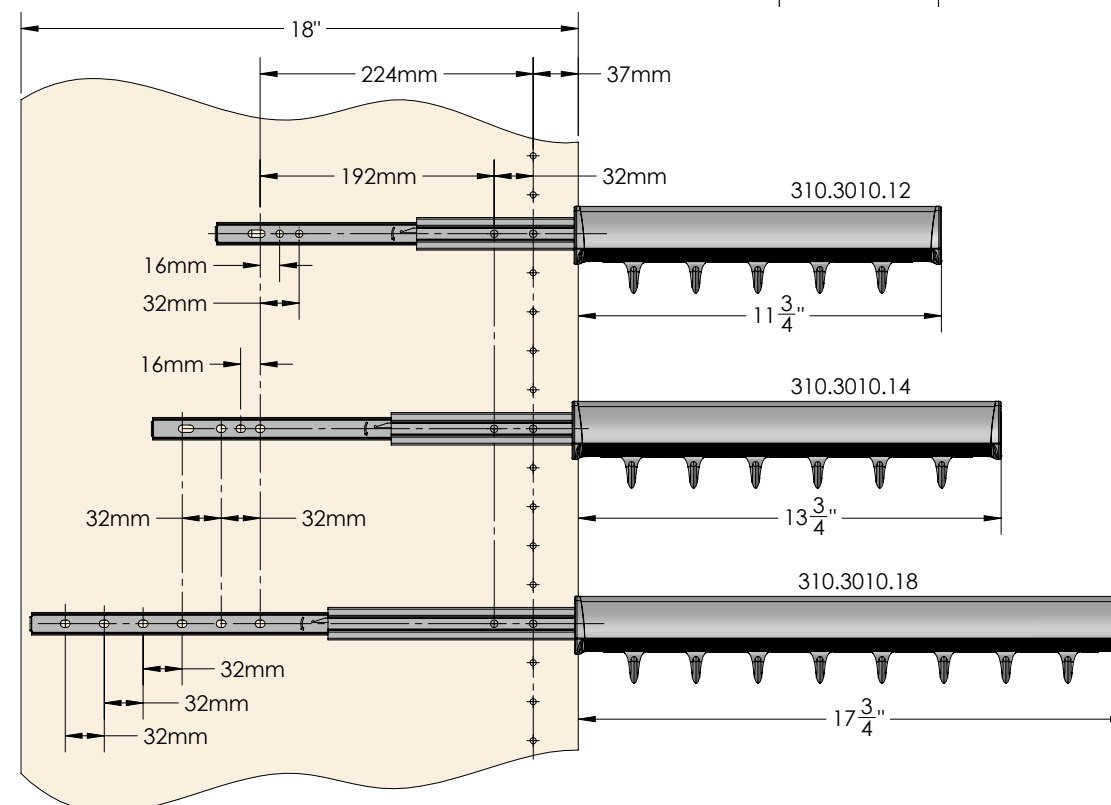
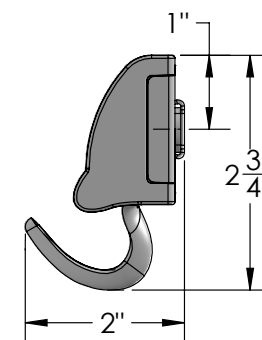
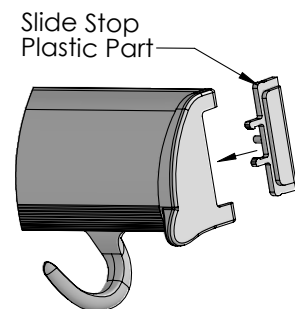
**FEATURES**

Designed to hold up to 3 belts per hook

- Great for storing necklaces and bracelets too

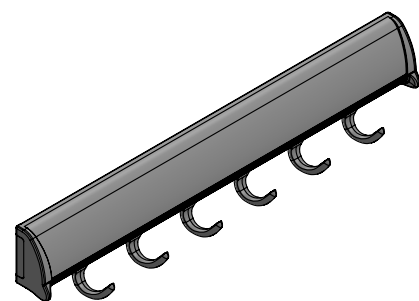
- Full extension ball bearing slides make it easy to neatly stow away

- All mounting hardware is included and concealed when installed



**DIMENSIONS**

**SPECS**



**FLEXIBLE INSTALLATION**  
Conveniently install on either the left or right side of a panel.

310.3010.<sup>(LENGTH)</sup>XX.<sup>(FINISH)</sup>XXX

**LENGTH:**



**FINISH:**



**OPTIONS**



310.3010.14.MAL  
PATENT #: 7137515

**FINISHED PRODUCT**