

ELITE

47" sliding full rotation mirror

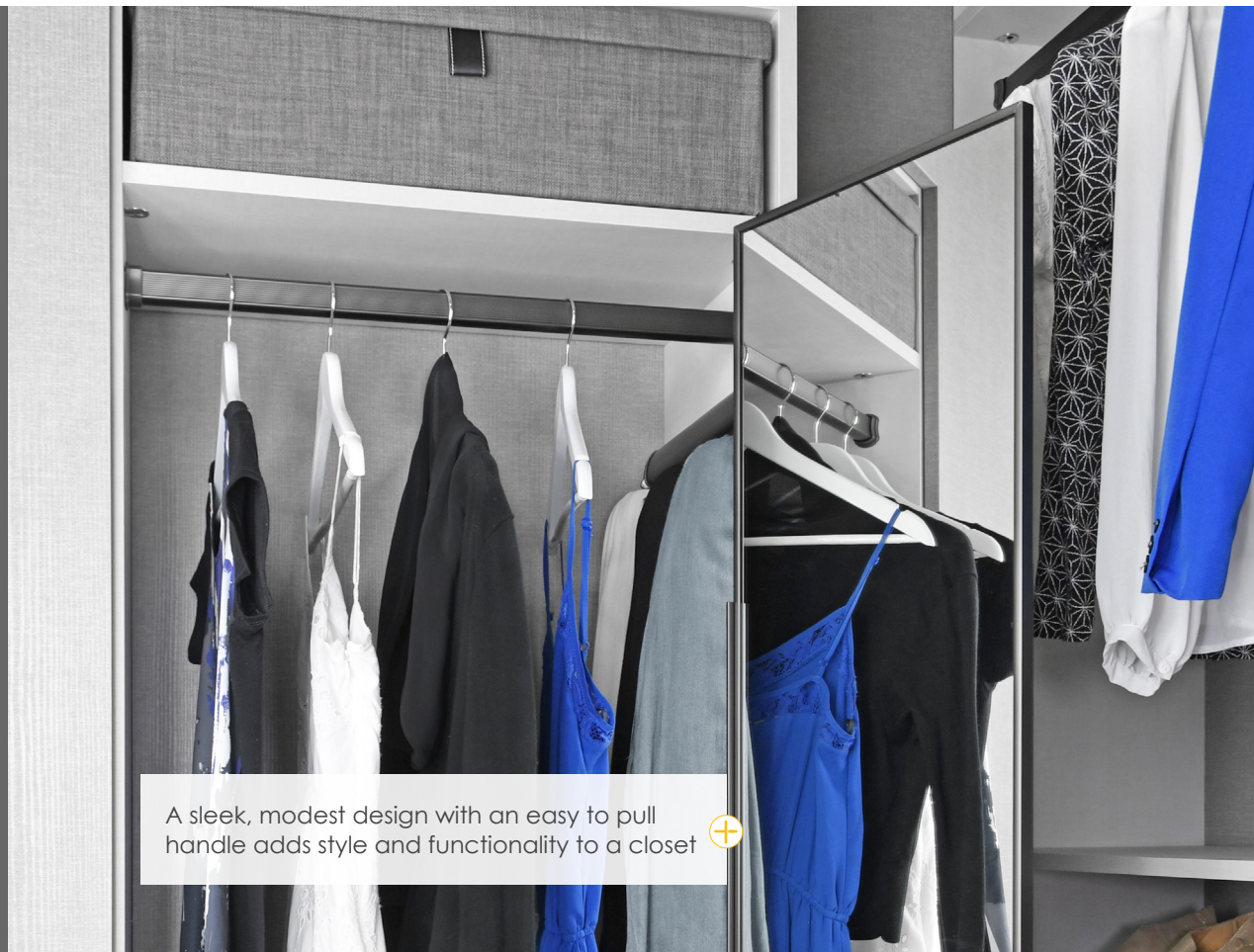
300.3430.xxx

FEATURES

Full extension ball bearing slides provide greater flexibility, extending the pivot point further out from the front edge of the closet – allowing for full rotation

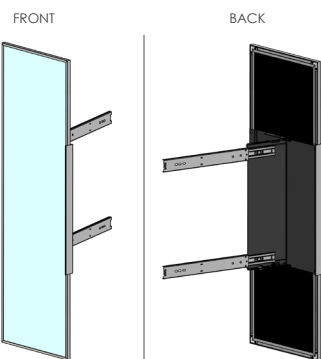
The versatile design of the full extension mirror is ideal when installation is required on the outside of a panel and rotated inwards

Finished with a black velvet backing

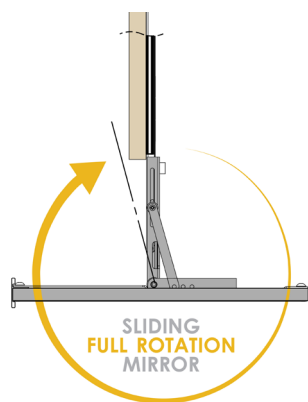


A sleek, modest design with an easy to pull handle adds style and functionality to a closet

SPECS



300.3430.xxx (FINISH)



SLIDING FULL ROTATION MIRROR

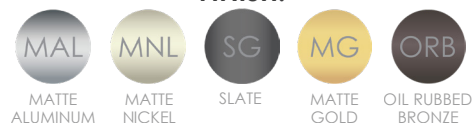
HEIGHT:

48"

WIDTH:

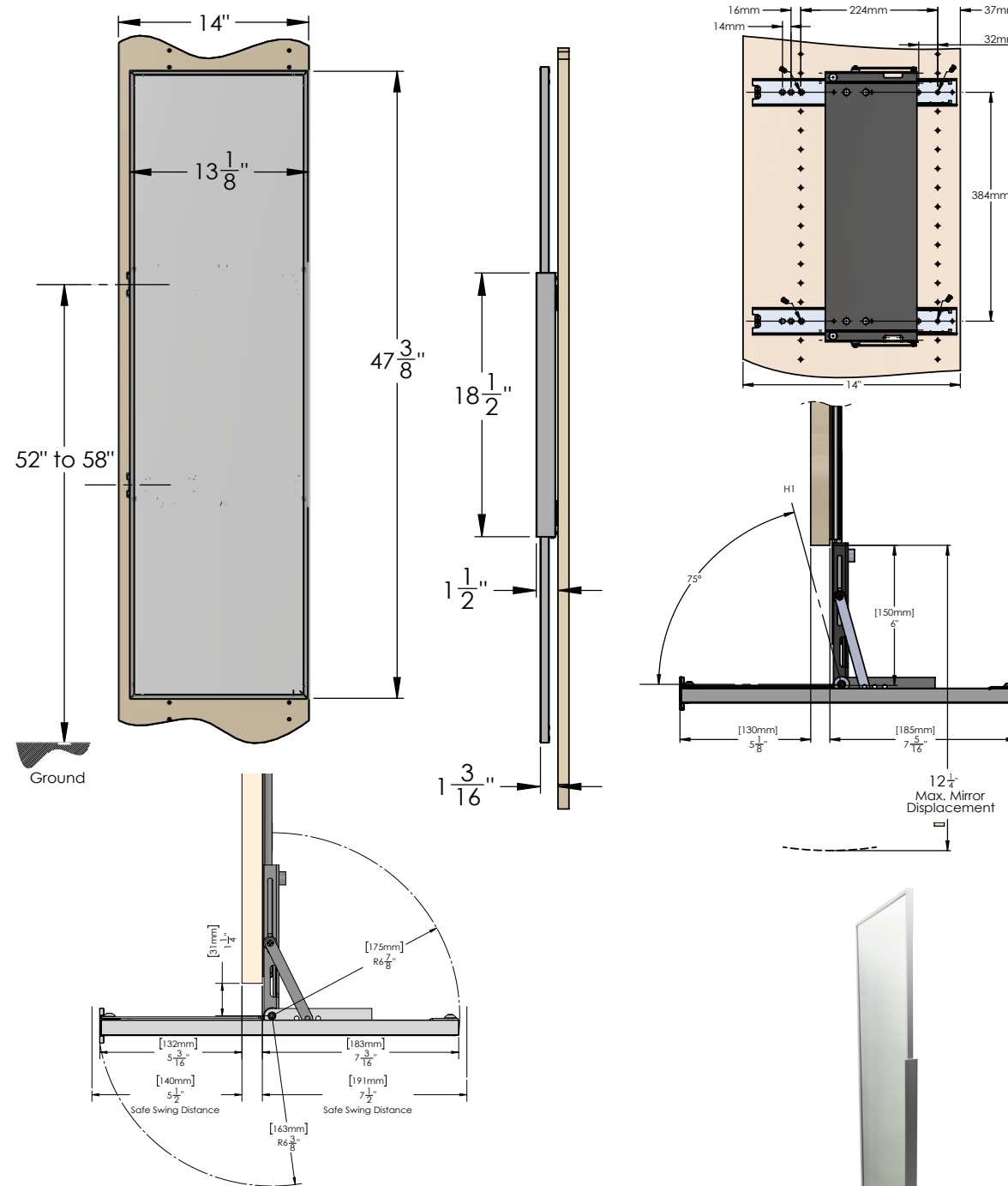
13 1/8"

FINISH:



OPTIONS

DIMENSIONS



FLEXIBLE INSTALLATION

Conveniently install on either the left or right side of a panel.

For desired mirror position, place bracket in one of three holes:

1. First hole next to bracket, full rotation
2. Second (middle) hole, not functional
3. Third (last) hole, not functional

FINISHED PRODUCT

300.3430.MAL