

TRACK | GARAGE
screw driver holder

300.5233.MAL

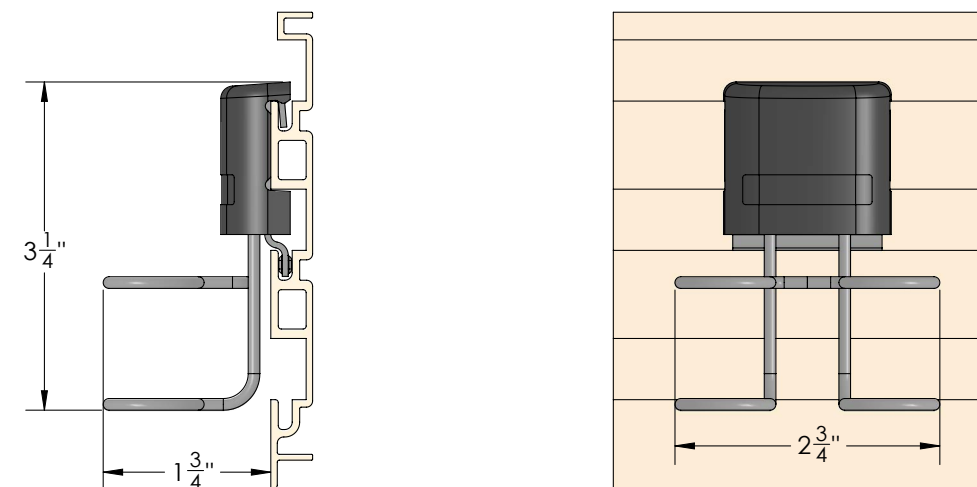
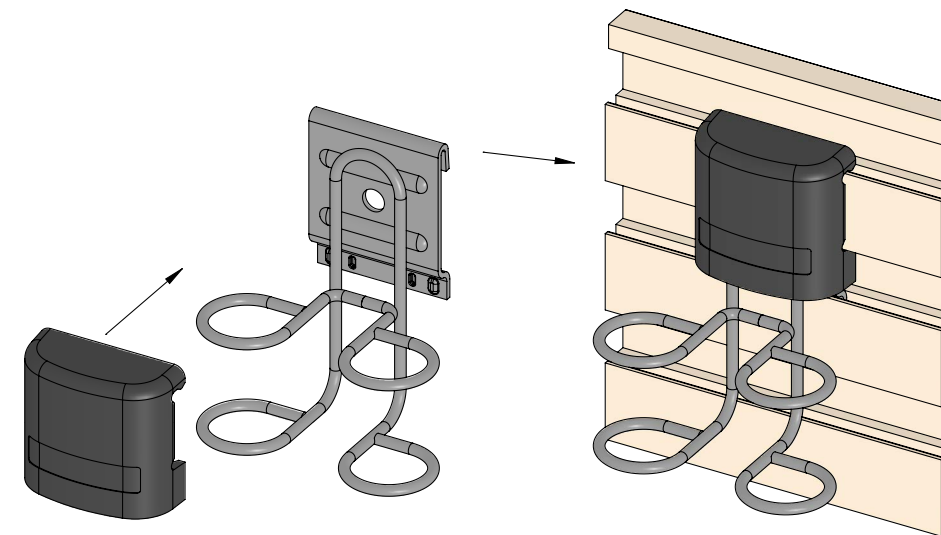
FEATURES

Stores screwdrivers neatly on the track panel where they are easily accessible

- Double holder design stores two screwdrivers of nearly any size or style

- Also a suitable hook for organizing items in craft rooms

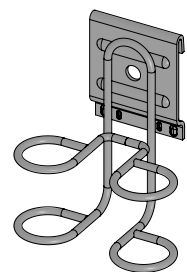
- Cover cap secures the hook to the track



DIMENSIONS

SPECS

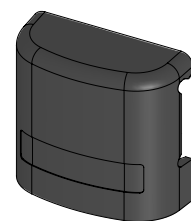
SCREW DRIVER HOLDER



300.5233.MAL



BLACK COVER CAP



300.5230.BLK

FINISH:



OPTIONS



FINISHED PRODUCT