

HANDLES & FEET

extruded handle

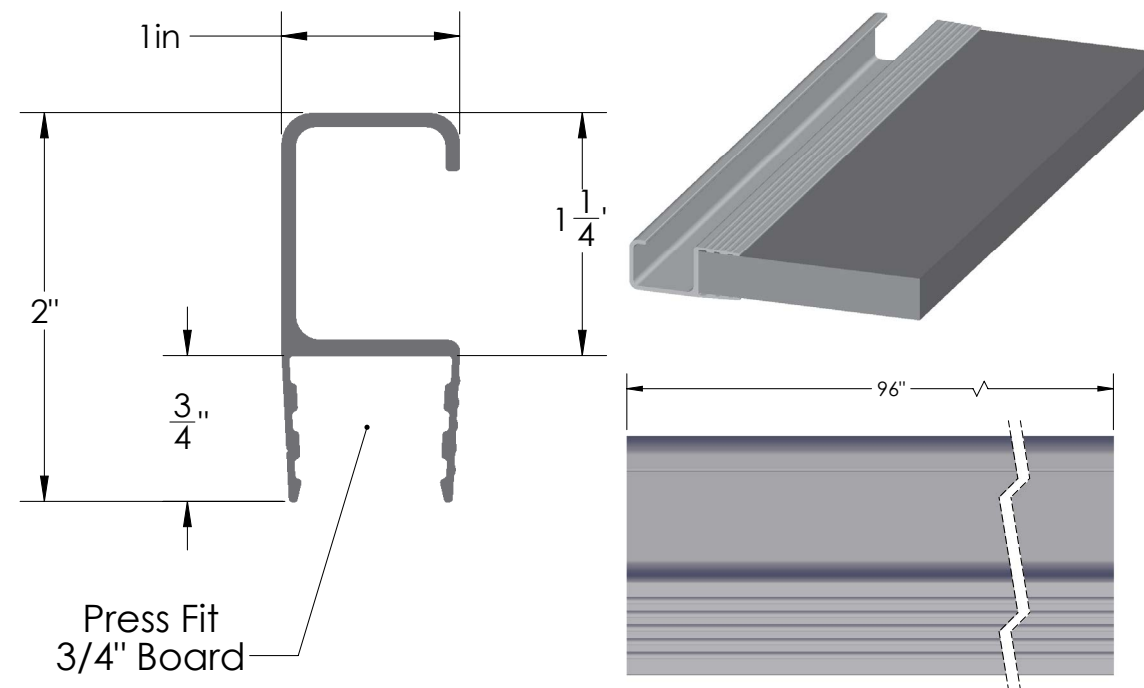
300.5103.MAL

FEATURES

Perfect for 3/4" thick cabinets or drawers

- Customizable to suit any application and complements the design of the track system

- Can be cut to size used and horizontally or vertically



DIMENSIONS

SPECS

300.5103.MAL

LENGTH:

8"

FINISH:



OPTIONS

FINISHED PRODUCT

