

TRACK | CLOSET
belt holder

300.5602.MAL

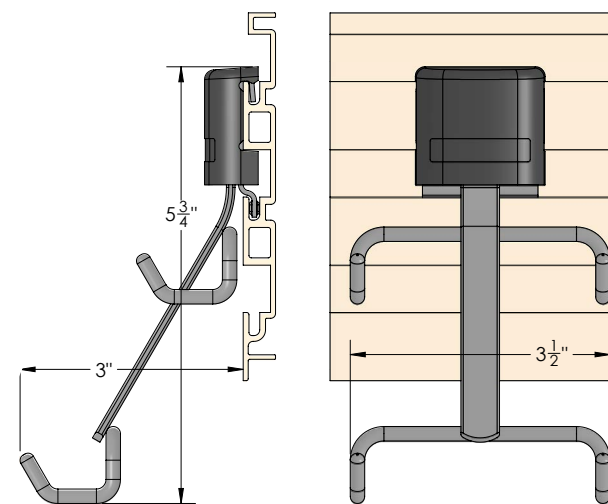
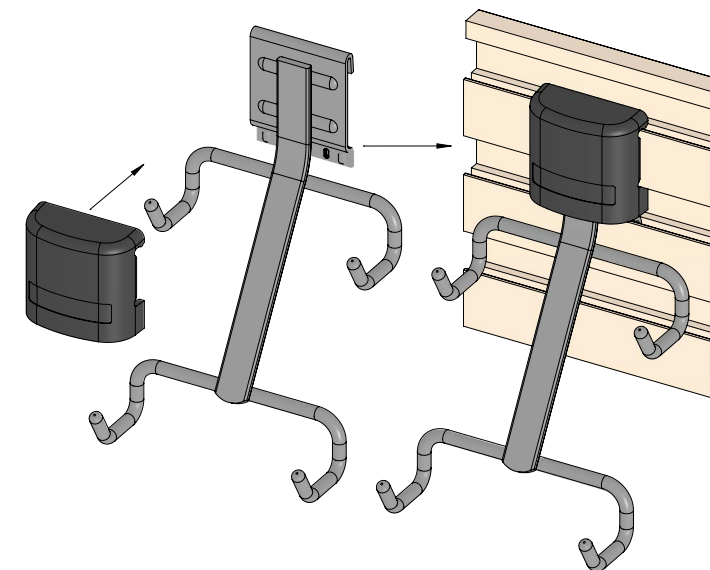
FEATURES

Designed to store belts on the track in the closet

The upturned hook style keeps items from slipping off

Also suitable for jewelry and items in a craft room

Cover cap secures hook to track



DIMENSIONS

SPECS

BELT HOLDER

300.5602.MAL

+

GRAY COVER CAP

300.5230.MAL

OR

BLACK COVER CAP

300.5230.BLK

OPTIONS

FINISH:
MAL
MATTE ALUMINUM

FINISHED PRODUCT

