

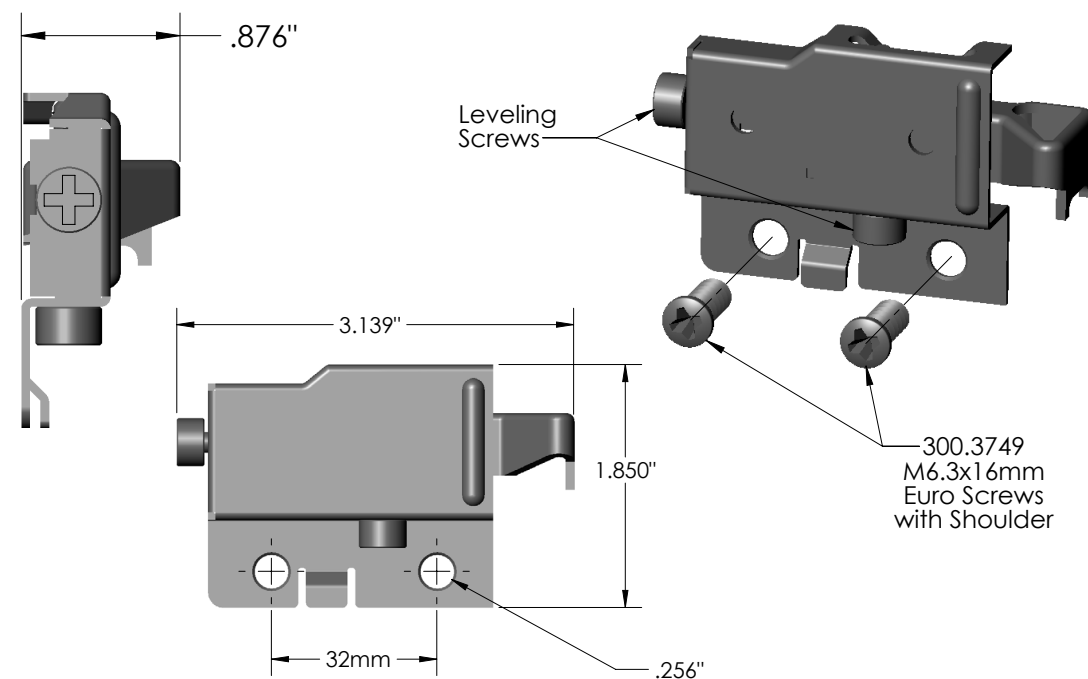
HARDWARE
suspension bracket

LEFT 300.3741
RIGHT 300.3742

FEATURES

Mounts directly to the top corner of the partition and allows the closet system to be suspended from the Wall Rail

Two adjuster screws allow the installer to level the closet and adjust the distance from the back of the partition to the wall



DIMENSIONS

SPECS

300.3741
LEFT

300.3742
RIGHT

FINISH:
GALVANIZED STEEL

OPTIONS



FINISHED PRODUCT