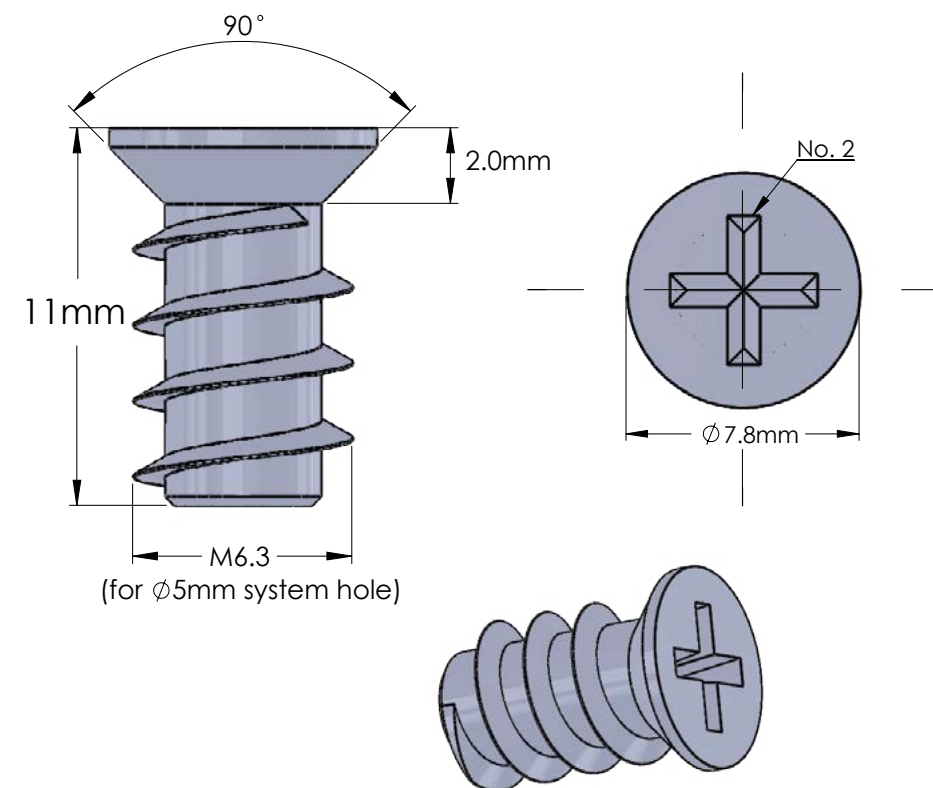


**FEATURES**

The Euro Screw offers a firm hold while still providing the flexibility for disassembly when needed

- Designed for the standard 5mm diameter system holes, this 7mm diameter head screw is ideal for most slides and accessories

- The Euro Screw is perfect for ENGAGE and ELITE accessories



**DIMENSIONS**

**SPECS**

300.3751

**OPTIONS**

N/A

**FINISHED PRODUCT**

