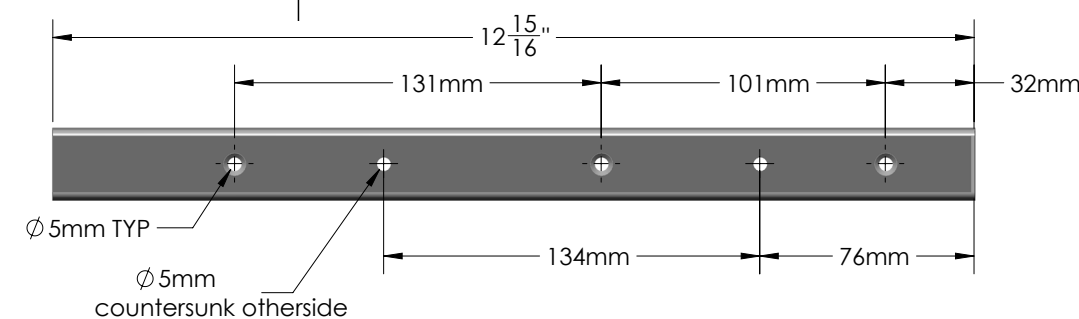
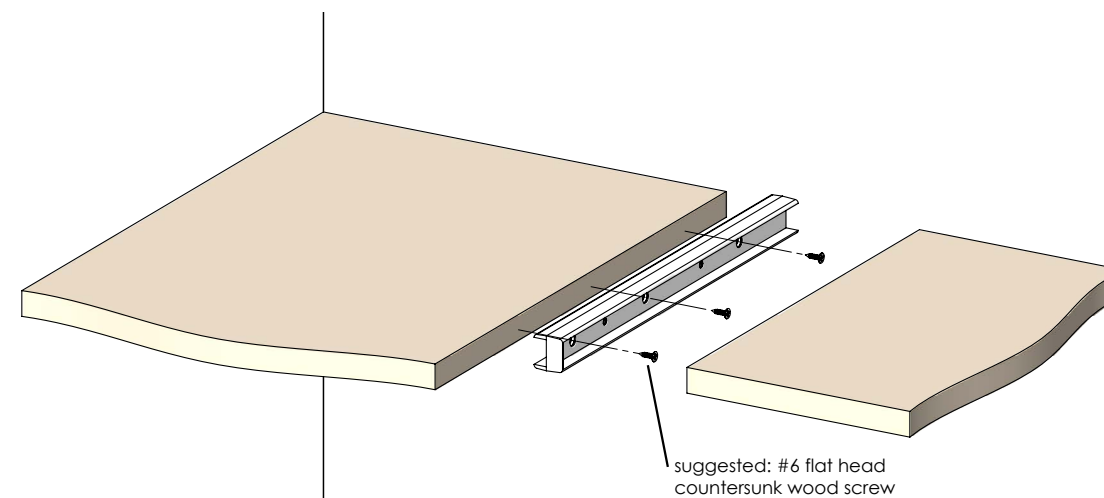


FEATURES

Allows you to create an L-shaped shelf for corner applications

Designed for shelves 14" deep, but can be cut-to-length for depths under 14"

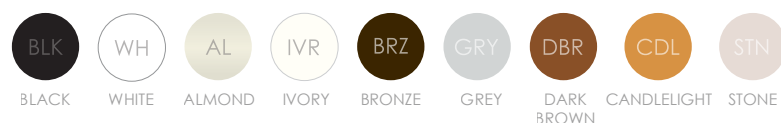


DIMENSIONS

SPECS

300.3710.xxx

FINISH:



OPTIONS

FINISHED PRODUCT



300.3710.GRY