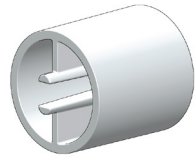


**+** ADDITIONAL COMPONENTS FOR SYMPHONY OFFICE

Extension Posts

#10-24 Screws 3.5"



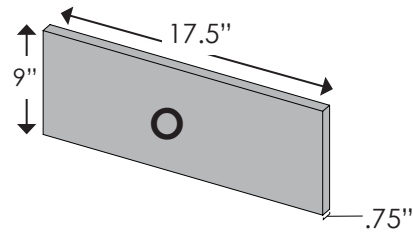
M



N

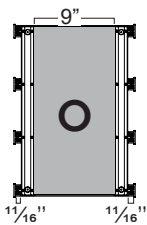
**Jig O (Shop Supplied)**

Recommended but not required

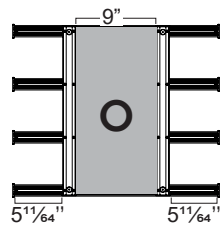


JIG O POSITIONING

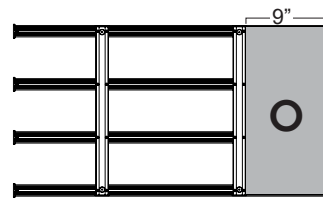
13.5"



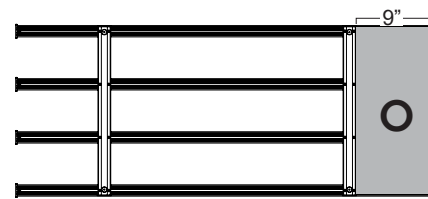
23"



35"

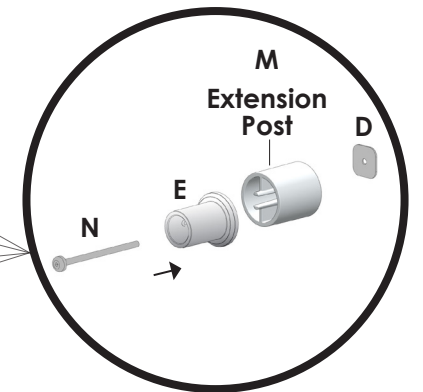
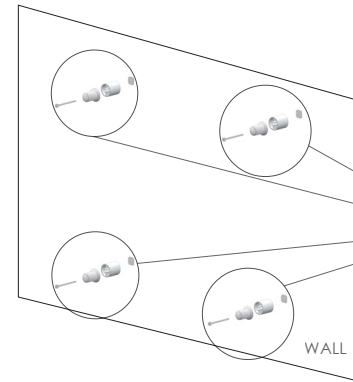
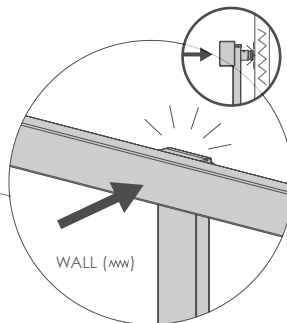
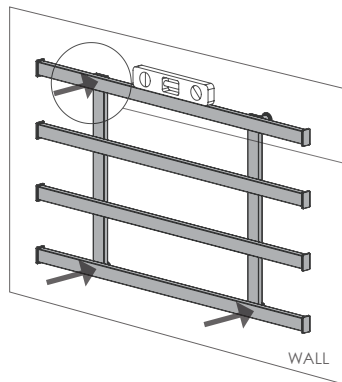


47"



8

Mark & install remaining posts

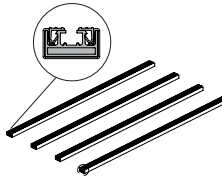
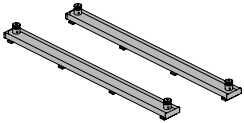
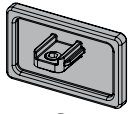
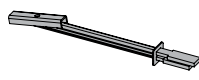

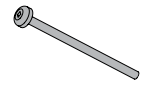


# INSTALLATION GUIDE

## SYMPHONY Wall Organizer


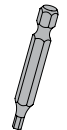
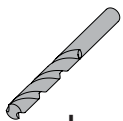
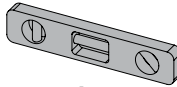
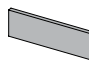
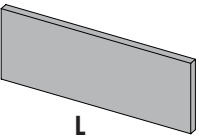
### PART A: INSTALL PREPARATION

components

Horizontal Bars	Vertical Bars	End Caps	Toggler	Posts	#10-24 Screws
 A	 B	 C	 D	 E	 F If installing on partition replace F with #8 wood screw

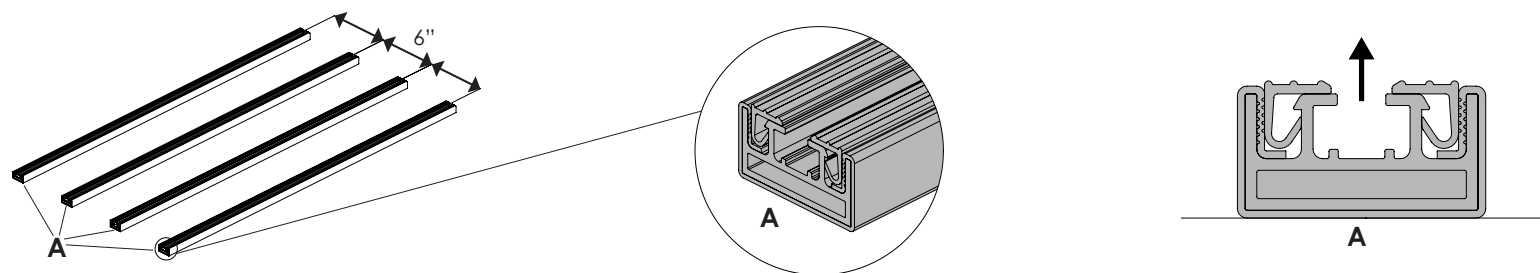
**WARNING:**  
This product can expose you to chemicals including chromium (hexavalent compounds), which are known to the State of California to cause cancer and birth defects or other reproductive harm.  
For more information, visit [www.p65warnings.ca.gov](http://www.p65warnings.ca.gov)

tools

Allen Key 2.5 mm (included)	Allen Drill Bit 3mm (included)	1/2" Drill Bit	Leveler	Jig K (included)	Jig L (Shop Supplied)
 G	 H	 I	 J	 K	 L

Recommended but not required  
Refer to **PART F** for placement

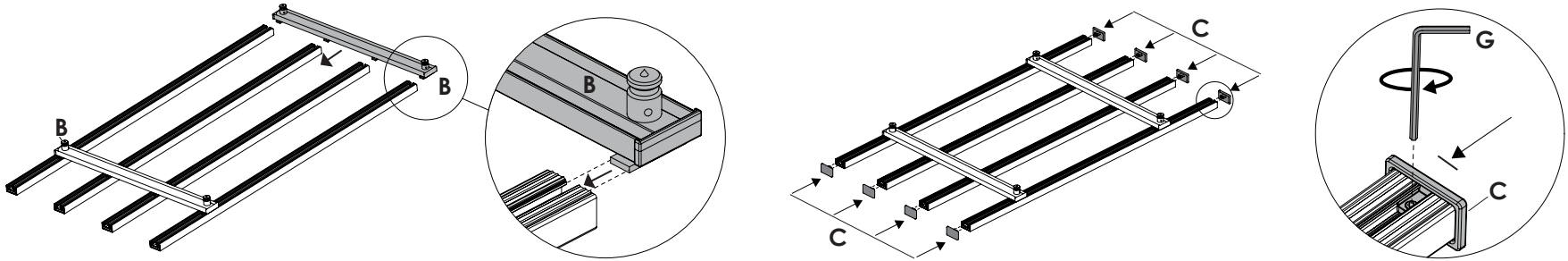
install prep



**PART B: ASSEMBLY**

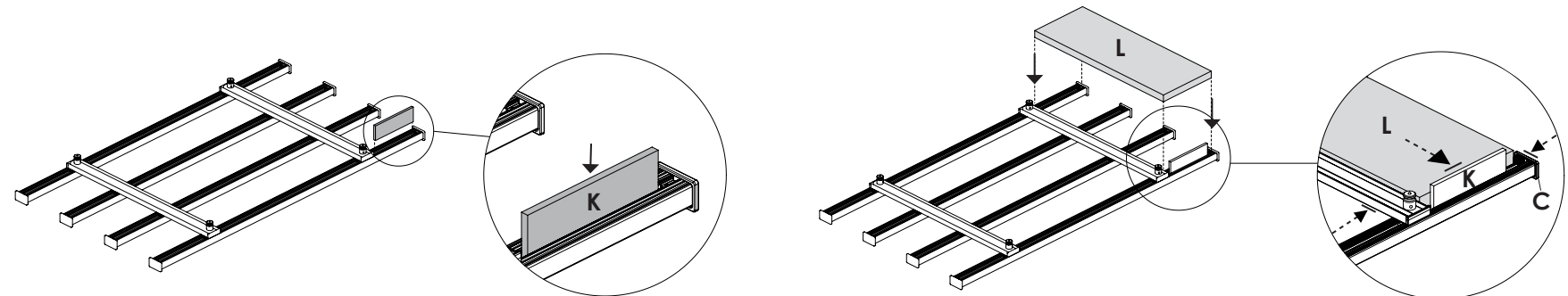
**1**

Insert vertical bars and end caps



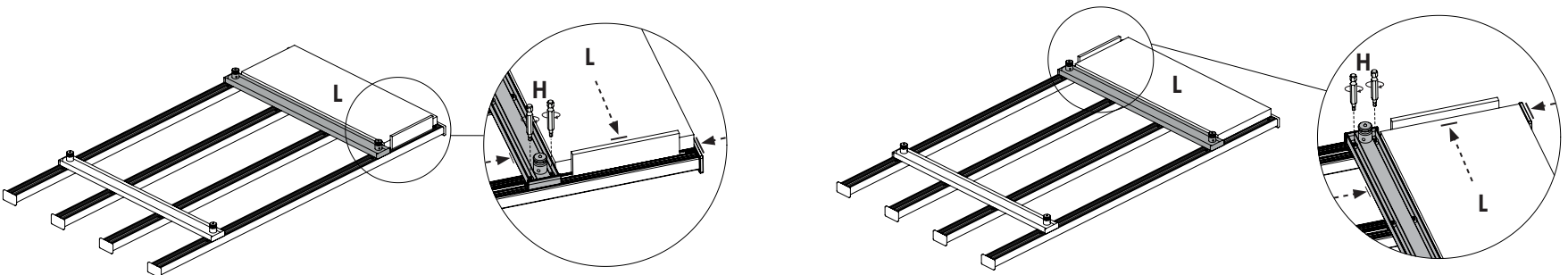
**2**

Insert Jig K & L



**3**

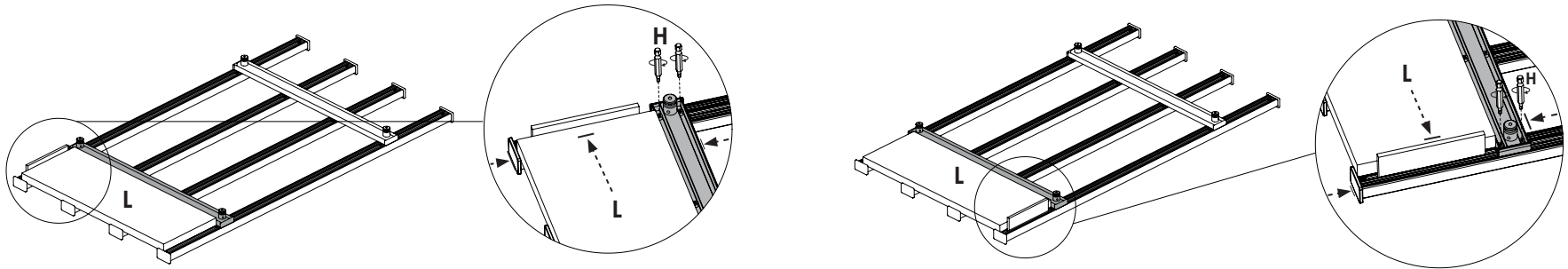
Secure corners of Vertical Bars



**PART C: ASSEMBLY & WALL INSTALLATION**

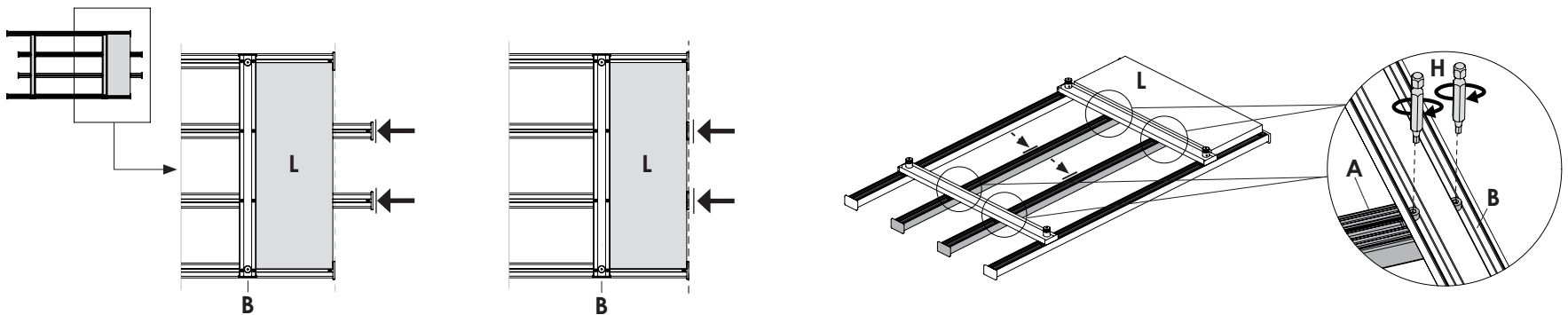
**4**

Secure corners of Vertical Bars



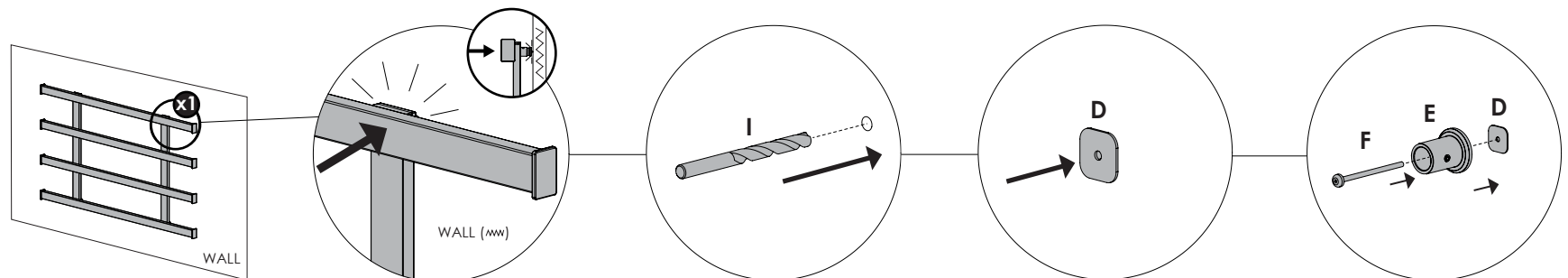
**5**

Tighten Horizontal Bars



**6**

Mark ONLY top right corner

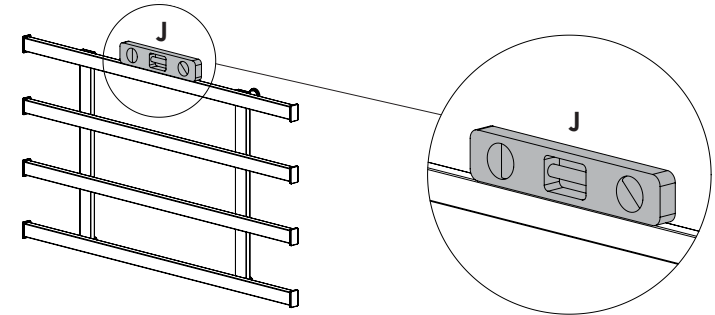
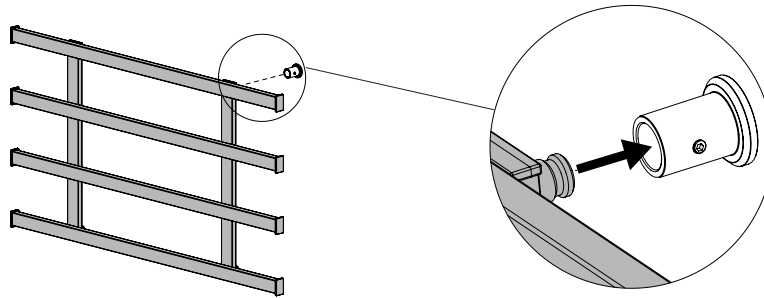


If installing on partition replace **F** with #8 wood screw

**PART D: WALL INSTALLATION**

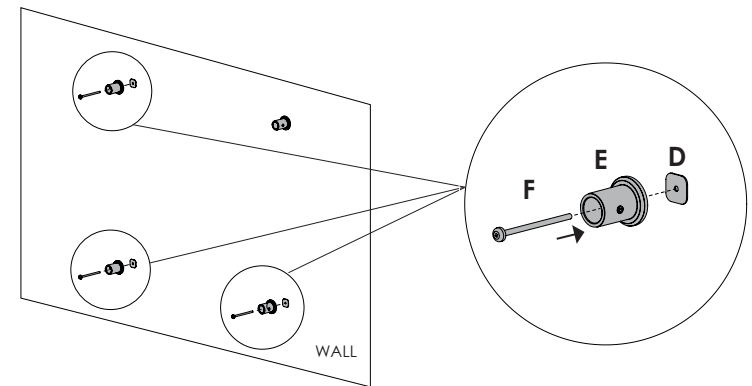
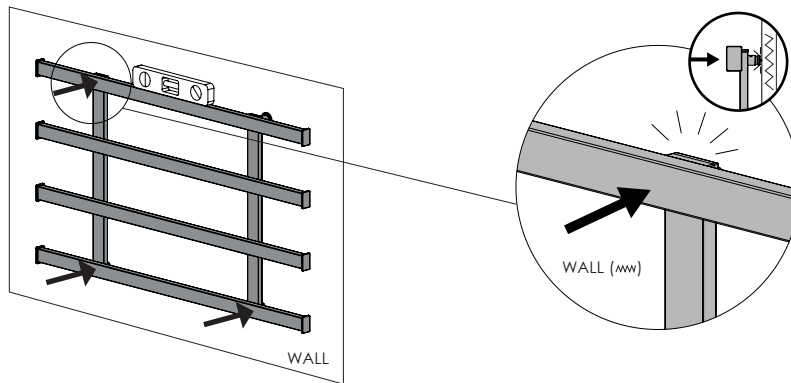
**7**

Position and level



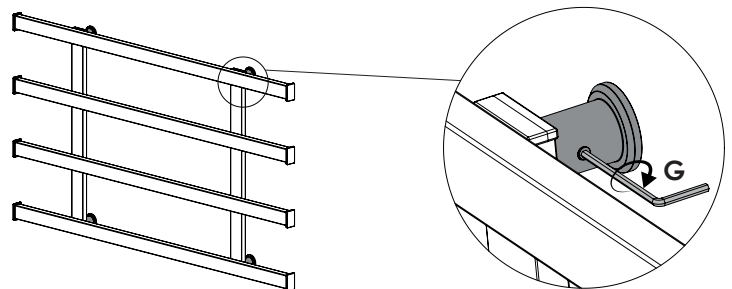
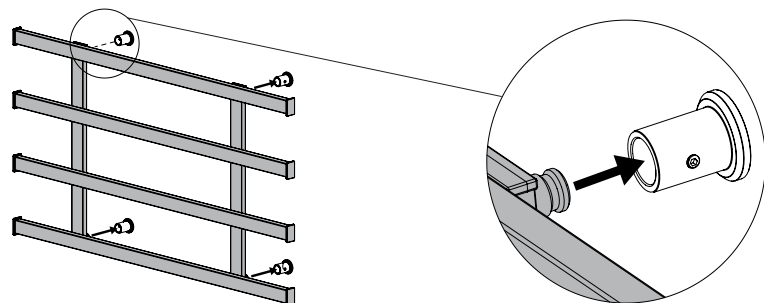
**8**

Mark & install remaining posts



**9**

Install and secure to complete



# PART E: AVAILABLE SIZES & SUGGESTED CONFIGURATIONS

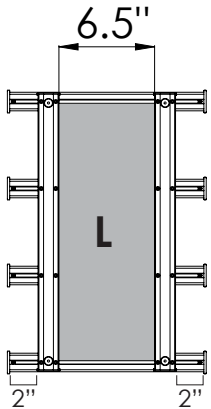


		HORIZONTAL BARS			
		13.5"	23"	35"	47"
VERTICALS					
19"					
42"					
66"					

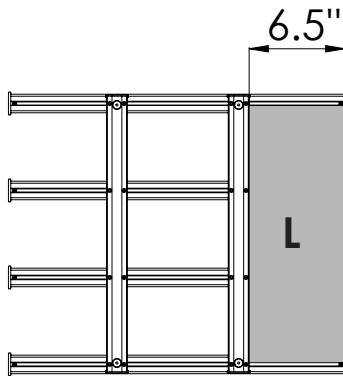
# PART F: Jig L Positioning



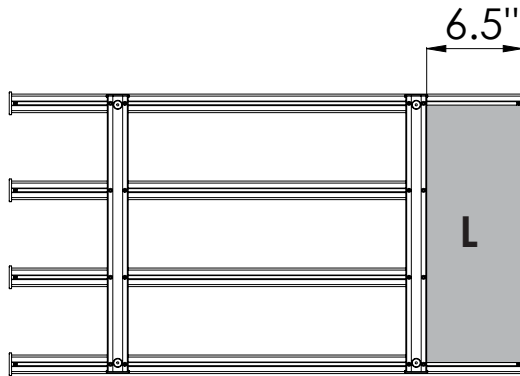
13.5"



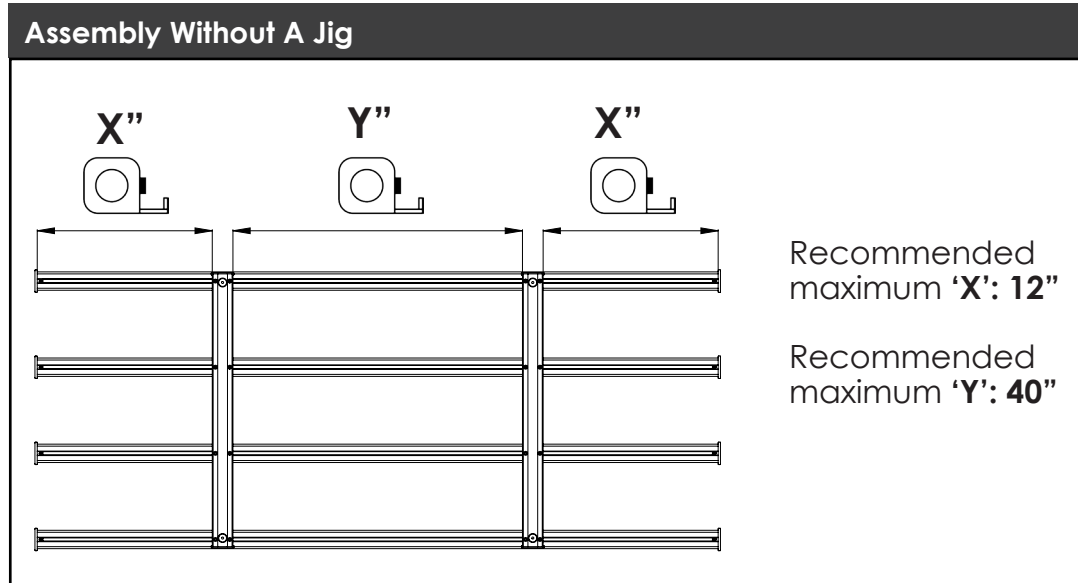
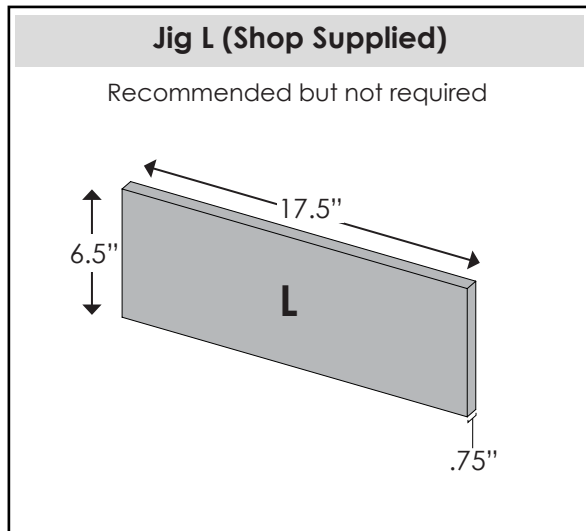
23"

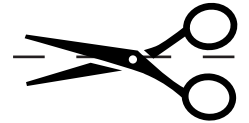


35"



47"





## Leave Behind Imitation Leather Care Instructions

1. Standard cleaning: wipe clean with a slightly damp cloth. Do not use highly acidic or alkaline cleaners, other non-recommended commercial cleaners or polishes, or treated cloths that have been used to clean other furniture. Do not steam or use heat.
2. Stain removal: Mix denatured alcohol (methylated spirits) and warm water in equal proportions, dampen a clean cloth with the mixture, and wipe stain until it's removed. Denatured alcohol is poisonous and highly flammable, but evaporates quickly and cleanly and will remove stains from imitation leather surfaces. Do not steam or use heat.