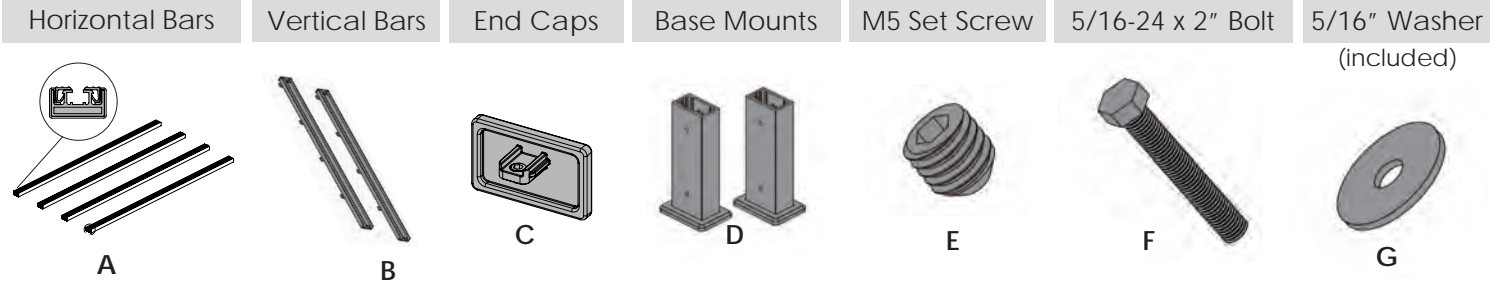


INSTALLATION GUIDE

SYMPHONY Desk Mount

PART A: INSTALL PREPARATION

components

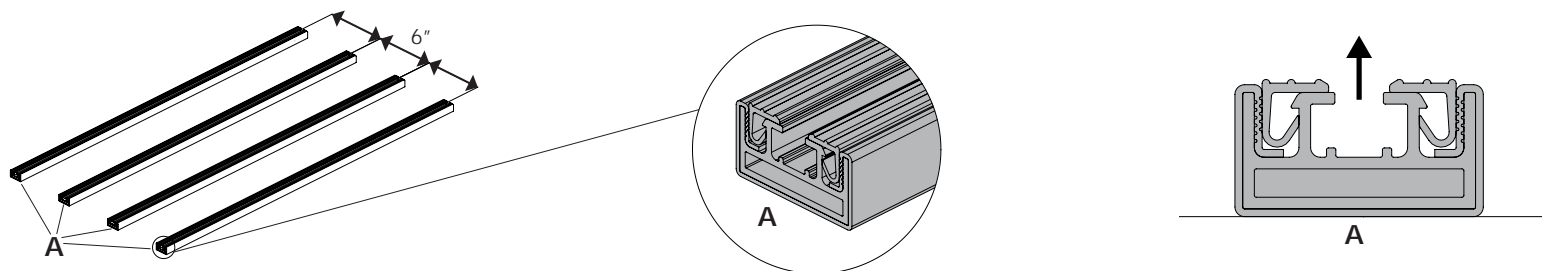


⚠ WARNING:
This product can expose you to chemicals including chromium (hexavalent compounds), which are known to the State of California to cause cancer and birth defects or other reproductive harm.
For more information, visit www.p65warnings.ca.gov

tools



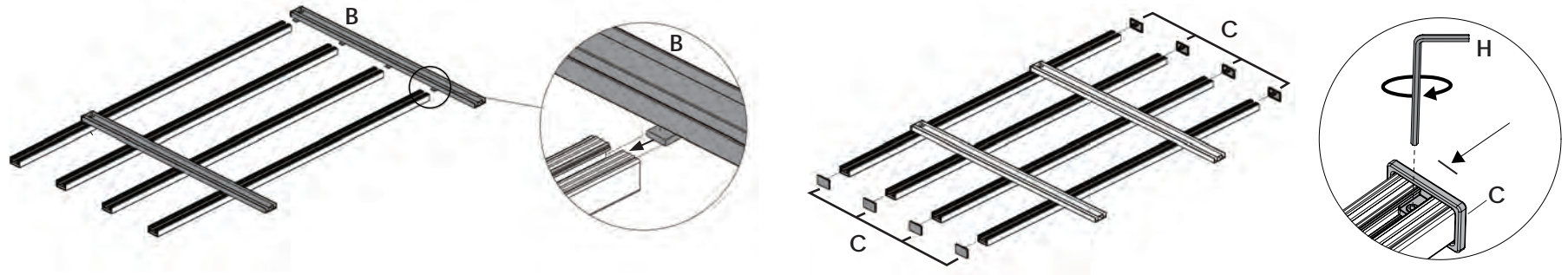
install prep



PART B: ASSEMBLY

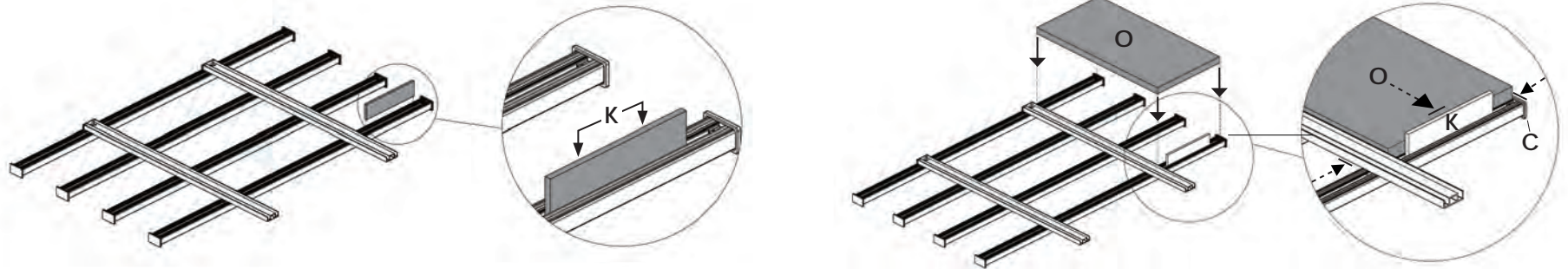
1

Insert vertical bars and end caps



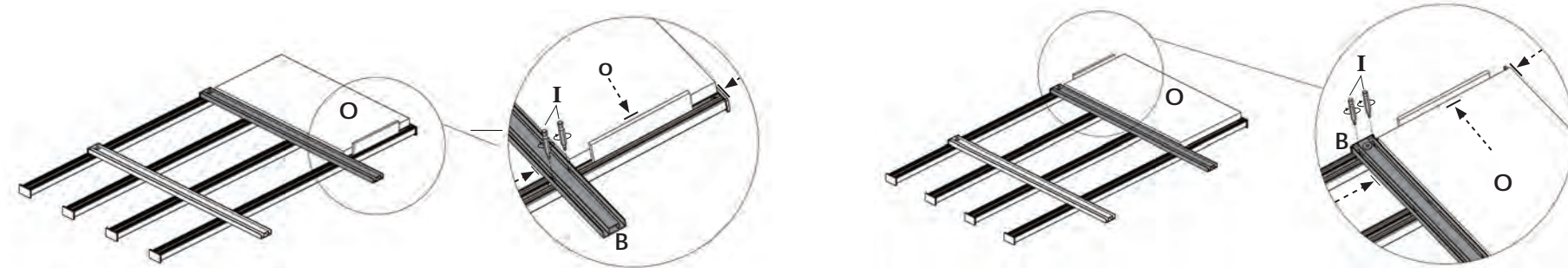
2

Insert Jig K & O



3

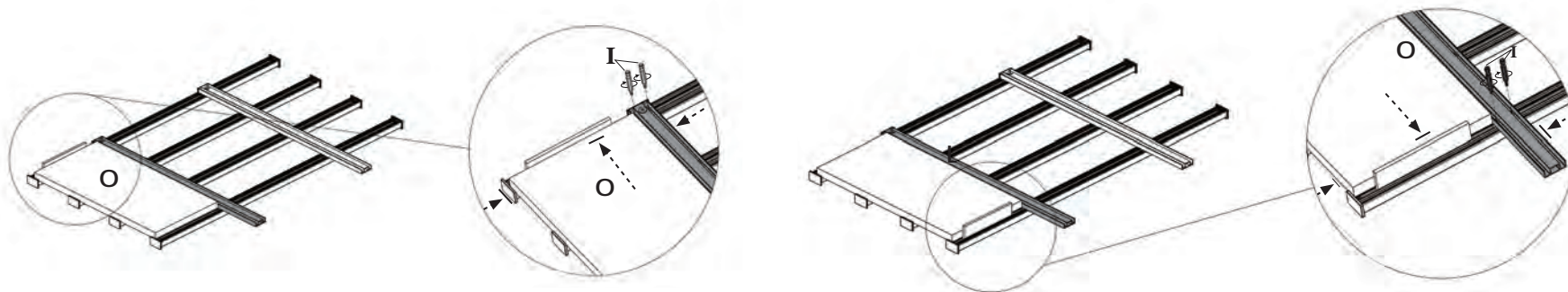
Secure corners of Vertical Bars



PART C: ASSEMBLY & WALL INSTALLATION

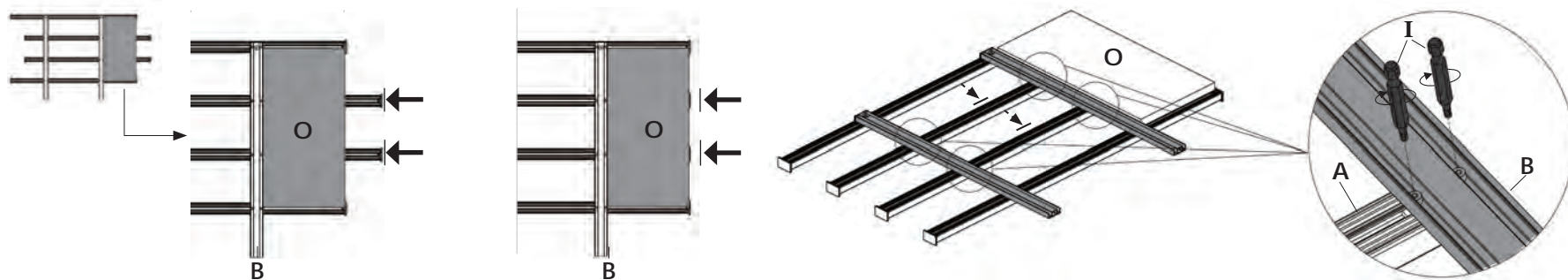
4

Secure corners of Vertical Bars



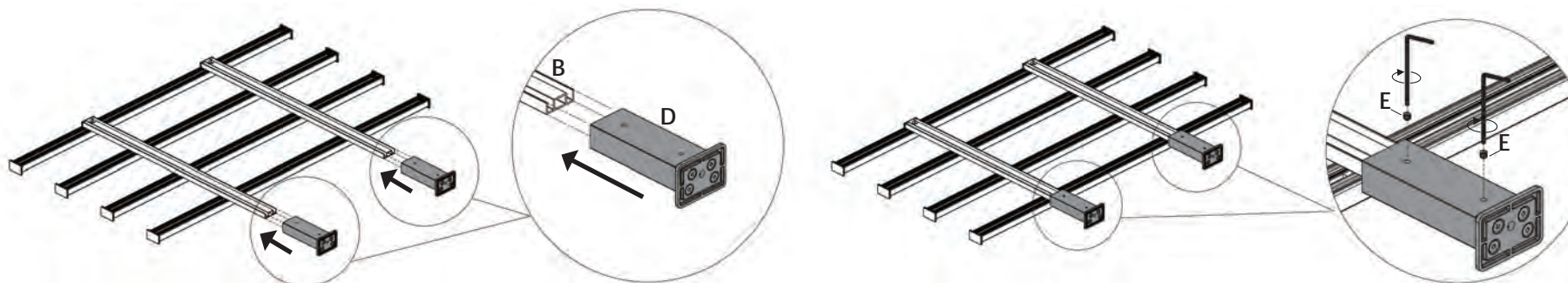
5

Tighten Horizontal Bars



6

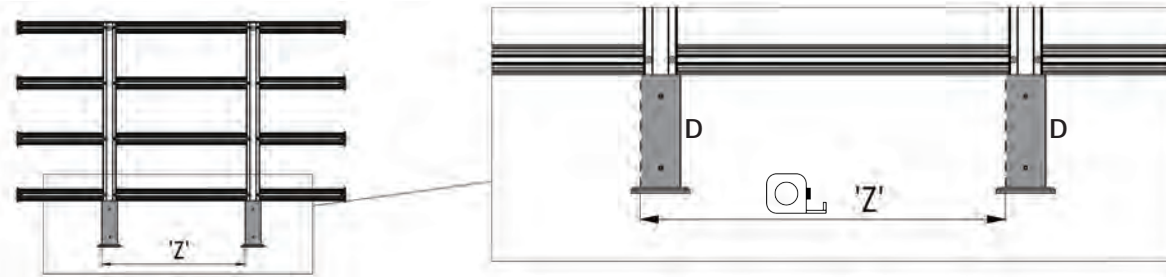
Attach Base Mounts



PART D: WALL INSTALLATION

7

Measure distance ("z") for hole placement



8

Drill 3/8" holes into table surface

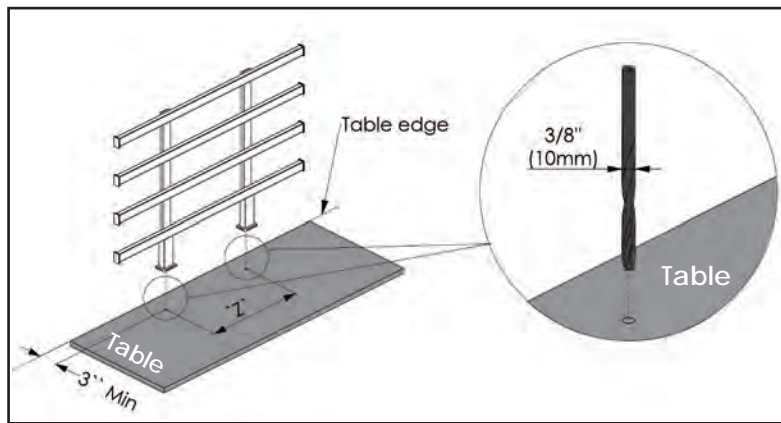
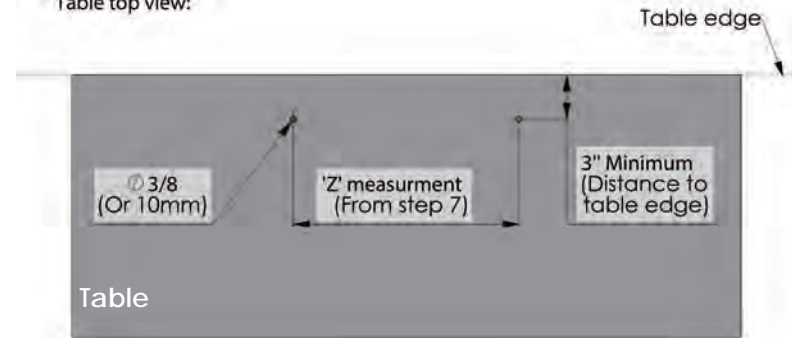
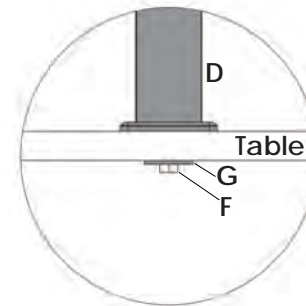
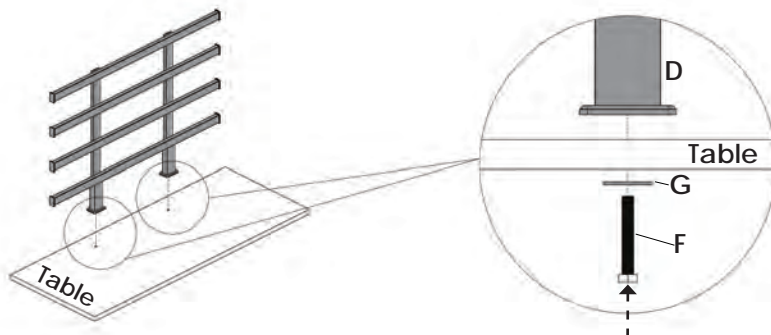


Table top view:



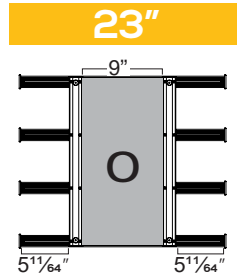
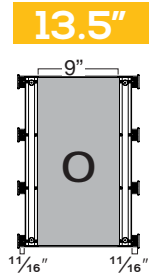
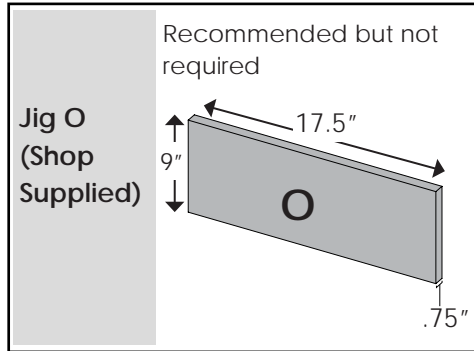
9

Fix Symphony to table surface



Up to 1 3/4" table top thickness

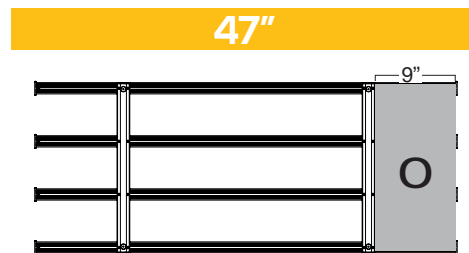
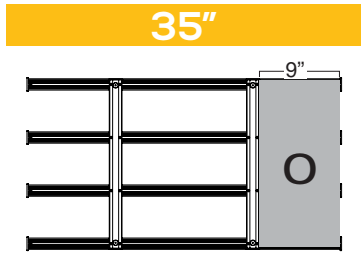
PART F: Jig O Positioning



Leave Behind Imitation Leather Care Instructions

1. Standard cleaning: wipe clean with a slightly damp cloth. Do not use highly acidic or alkaline cleaners, other non-recommended commercial cleaners or polishes, or treated cloths that have been used to clean other furniture. Do not steam or use heat.

2. Stain removal: Mix denatured alcohol (methylated spirits) and warm water in equal proportions, dampen a clean cloth with the mixture, and wipe stain until it's removed. Denatured alcohol is poisonous and highly flammable, but evaporates quickly and cleanly and will remove stains from imitation leather surfaces. Do not steam or use heat.



Assembly Without A Jig

