

SYMPHONY OFFICE

wall mount extension post

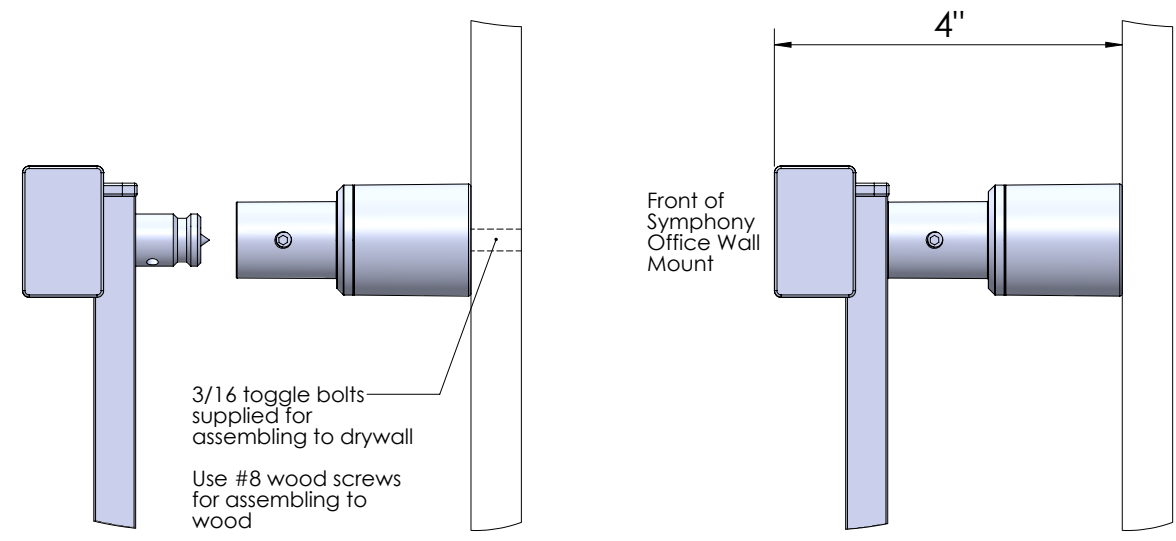
310.8207.XXX

FEATURES

Attach extensions to 19" tall Symphony Wall Organizers to transform it into an office organizer

These extensions provide greater distance from the wall to the backside of the horizontal bars allowing for placement of various office accessories

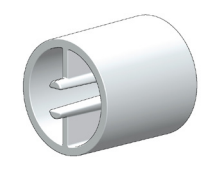
The Extension Attachment creates space for the various Symphony Office Accessories, allowing you to organize pens, scissors, paper clips, folders, and tablets



DIMENSIONS

SPECS

EXTENSION POST

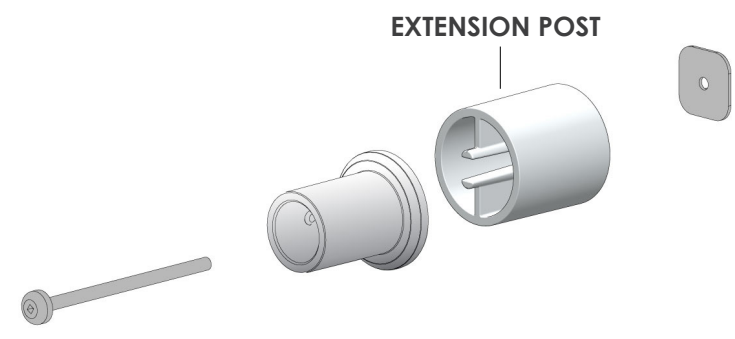


310.8207.^(FINISH)XXX

FINISH:

MAL	SG	MNL	MG
MATTE ALUMINUM	SLATE	MATTE NICKEL	MATTE GOLD

OPTIONS



310.8207.xxx

FINISHED PRODUCT

SYMPHONY OFFICE desk mount

PATENT PENDING

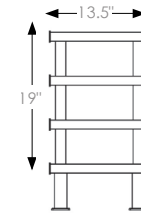
310.8324.xxx
+ 310.8613/23/35/47.04.xxx

FEATURES

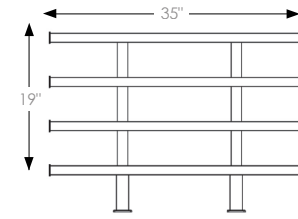
Ideal for height adjustable desks

No wall needed - Create vertical storage when a wall is not available for hanging

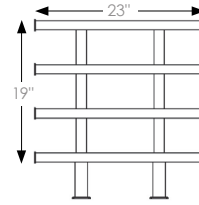
Accessories can be placed almost anywhere along the horizontal bars



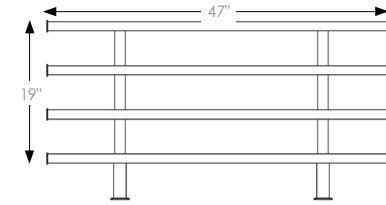
310.8324 + 310.8613.04



310.8324 + 310.8635.04

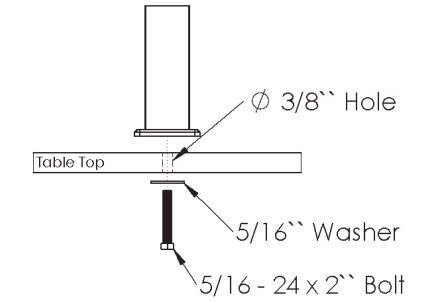


310.8324 + 310.8623.04

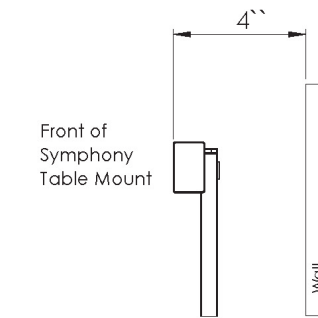


310.8324 + 310.8647.04

Table installation



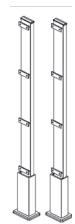
Minimum offset to back wall:



DIMENSIONS

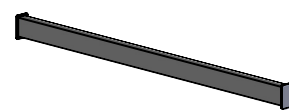
SPECS

TABLE MOUNTED VERTICAL MOUNTS (2)



310.8324.^(FINISH)xxx

VEGAN IMITATION LEATHER BARS (4)



310.8613.04.^(FABRIC)xxx
310.8623.04.^(FABRIC)xxx
310.8635.04.^(FABRIC)xxx
310.8647.04.^(FABRIC)xxx

OFFICE ACCESSORIES

(see full product guide for details)



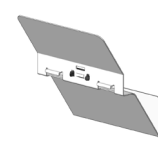
PENCIL HOLDER
310.8520.WH



PENCIL TRAY+ CONTAINERS
310.8522.3.WH



TABLET STAND + GLASS WHITEBOARD
310.8524.WH



PAPER TRAY
310.8521.WH

+ ALL SYMPHONY HOOKS

OPTIONS

HEIGHT:

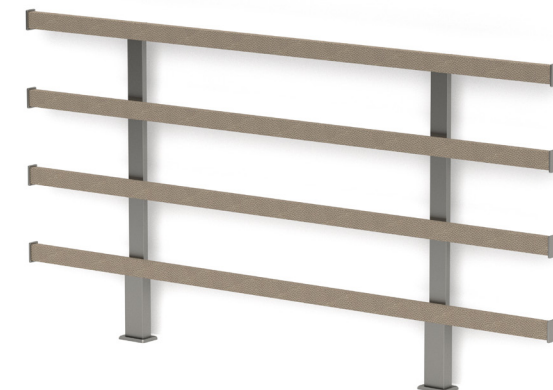


WIDTH:

VEGAN IMITATION LEATHER:



FINISH:



310.8319.SG
+ 310.8647.04.PWT

FINISHED
PRODUCT

SYMPHONY OFFICE

pencil holder

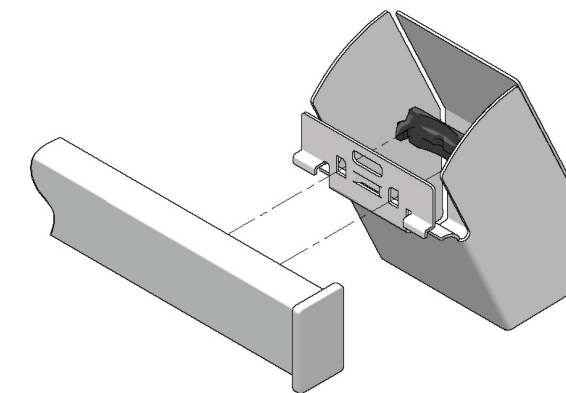
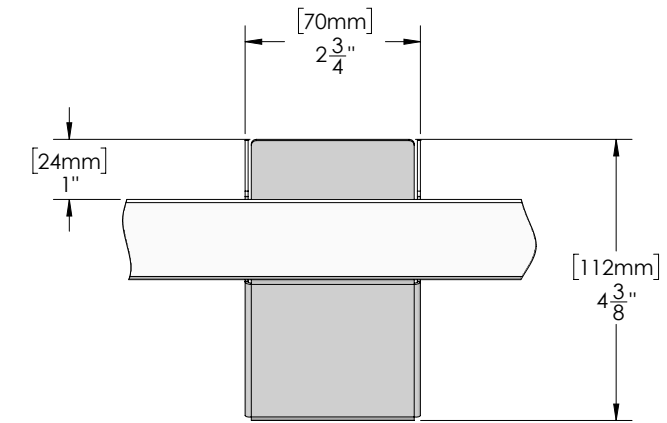
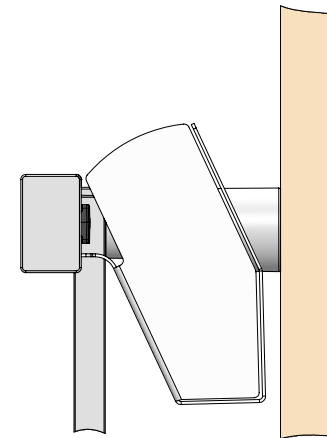
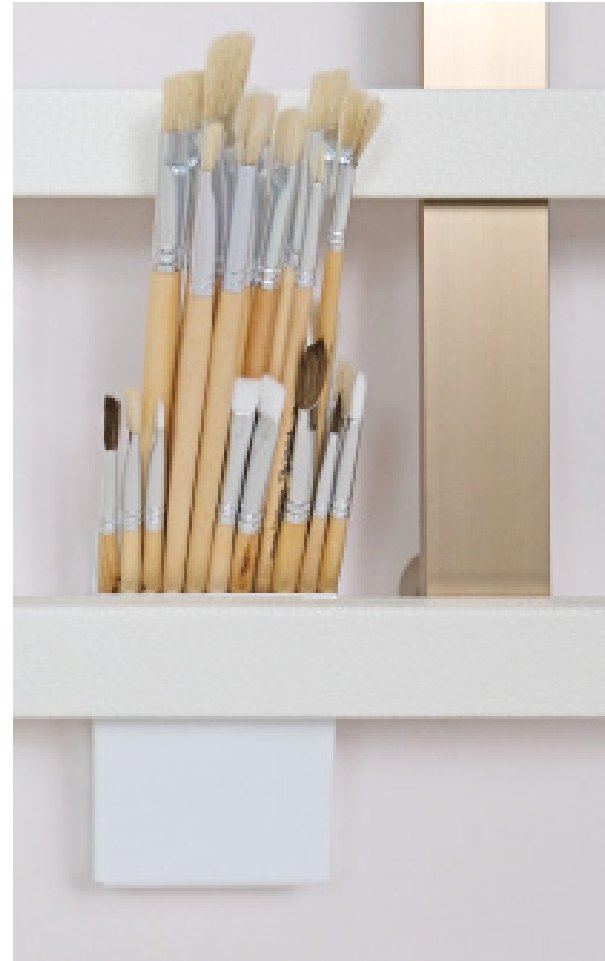
310.8520.WH

FEATURES

Add the Pencil Holder to Symphony Office to store pens, markers, scissors and more

- The Pencil Holder easily locks into the horizontal bars without any tools

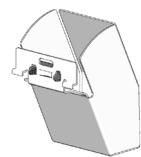
- Adjust the positioning as needs change



DIMENSIONS

SPECS

PENCIL HOLDER

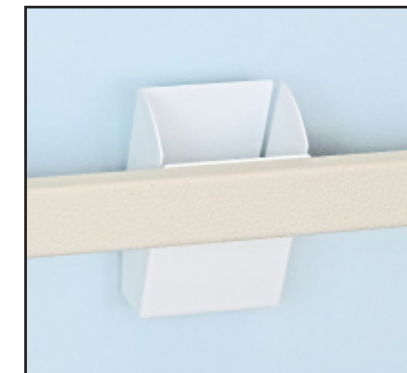


310.8520.WH

FINISH:



OPTIONS



310.8520.WH

FINISHED PRODUCT

SYMPHONY OFFICE

tablet stand + glass whiteboard

310.8524.WH

FEATURES

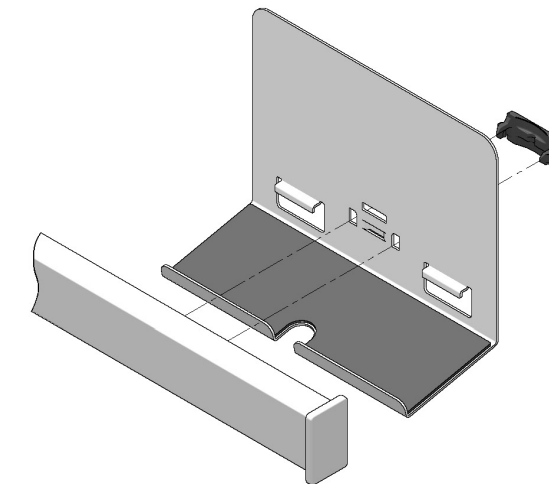
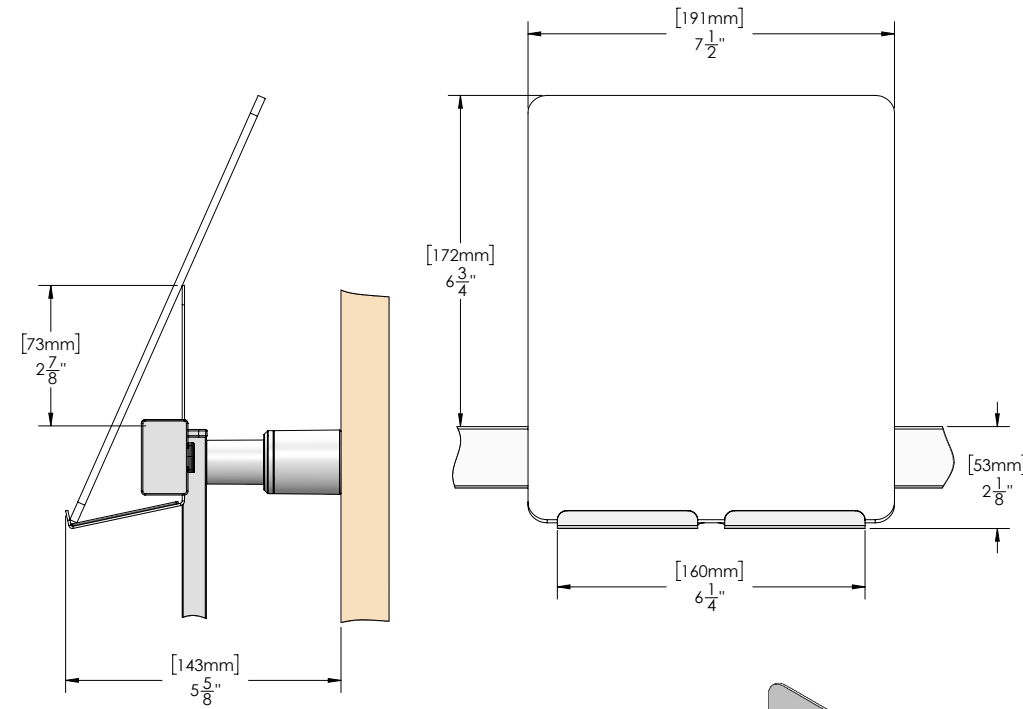
The Tablet Stand allows you to place your tablet at eye level, making it ideal for video calls

This accessory also comes with a glass white board, creating a space to write down reminders and quick notes

The Tablet Stand easily locks into the horizontal bars without any tools, allowing you to adjust the positioning as needs change



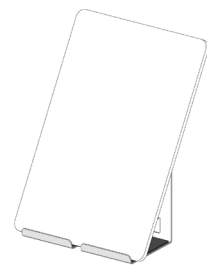
CORD MANAGEMENT



DIMENSIONS

SPECS

**TABLET STAND
+ GLASS WHITEBOARD**



310.8524.WH

FINISH:



310.8524.WH

OPTIONS

FINISHED PRODUCT

SYMPHONY OFFICE

pencil tray + containers

310.8522.3.WH

FEATURES

This multi-function accessory has hidden hooks to hang small accessories and comes with clear containers

- Use the containers to store small accessories like paper clips and USB drives

- The containers can also be removed to use the tray for other purposes

- The Tray easily locks into the horizontal bars without any tools, allowing you to adjust the positioning as needs change

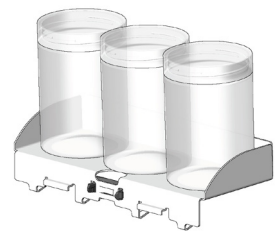


HIDDEN HOOKS

The tray has four hooks which can be used to hang rulers, scissors and other small office tools

SPECS

PENCIL TRAY + CONTAINERS



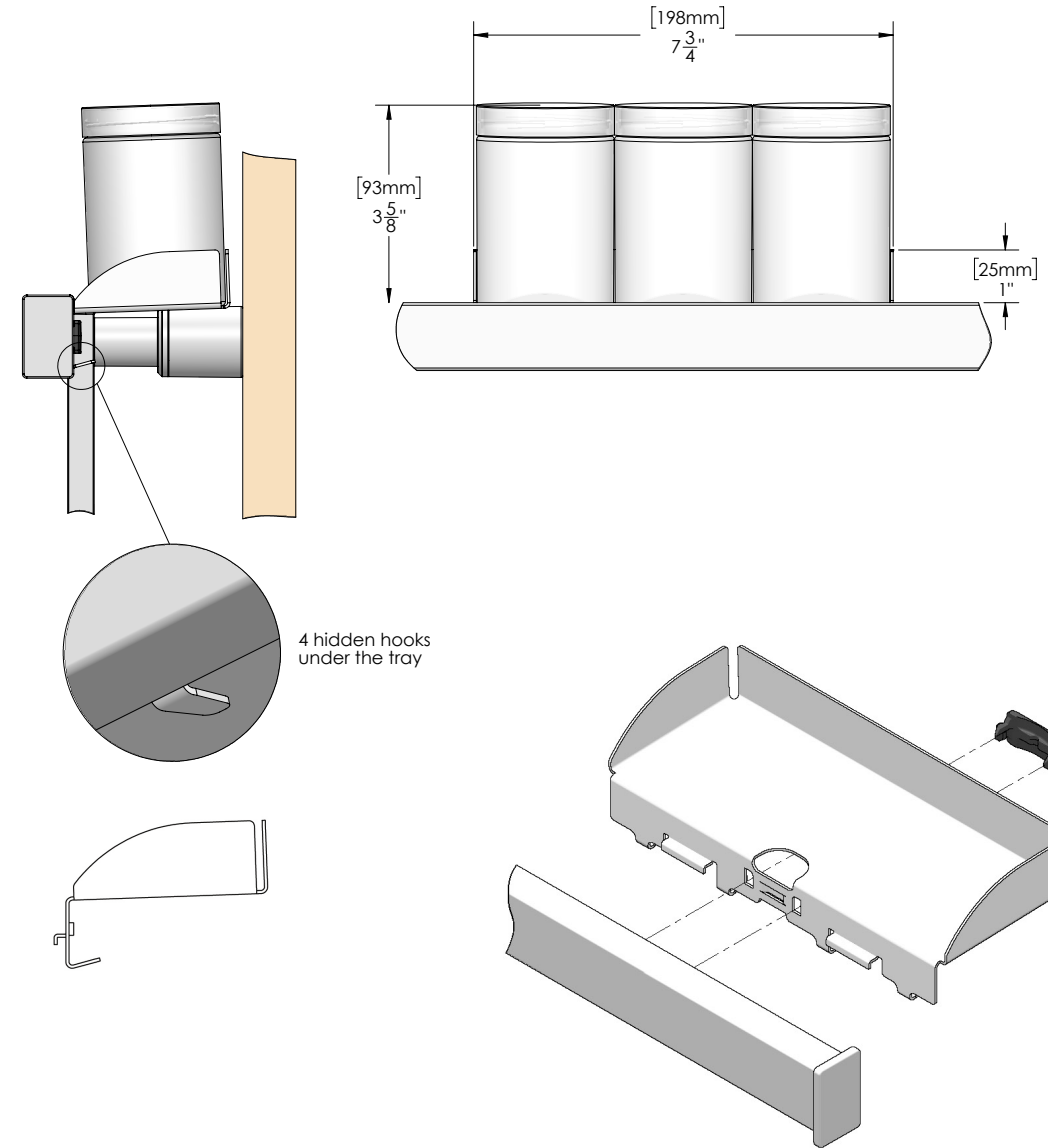
310.8522.3.WH

FINISH:



OPTIONS

DIMENSIONS



310.8522.3.WH

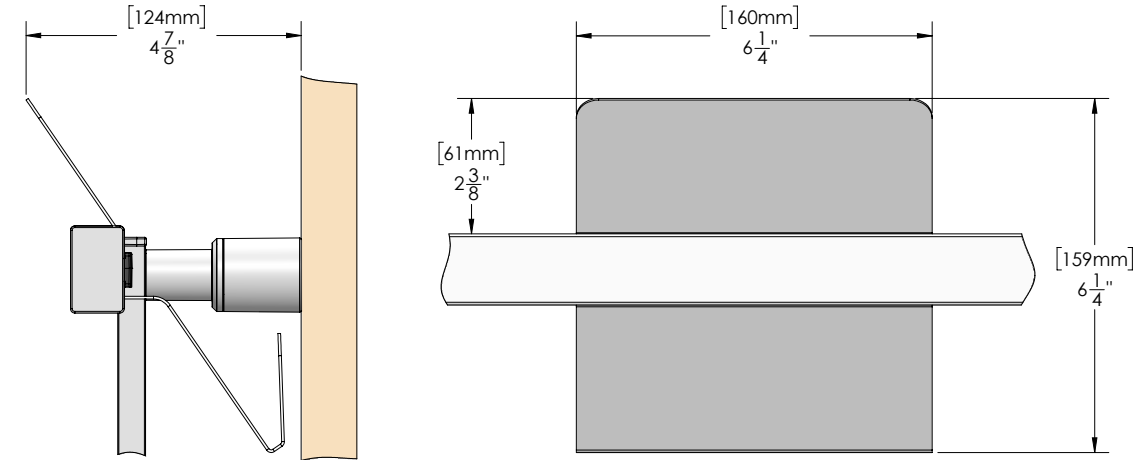
FINISHED PRODUCT

SYMPHONY OFFICE paper tray

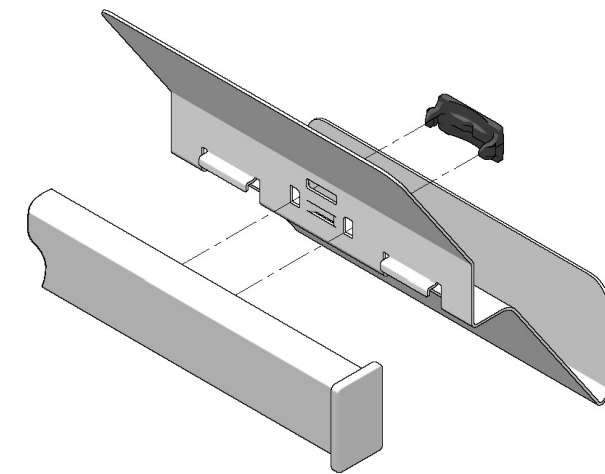
310.8521.WH

FEATURES

- The Paper Tray holds notebooks, small books, and loose documents
- The surface allows you to add magnets for attaching additional notes
- The Paper Tray easily locks into the horizontal bars without any tools, allowing you to adjust the positioning as needs change

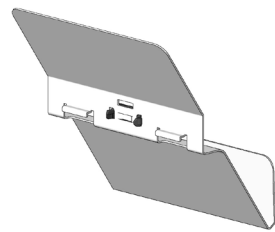


DIMENSIONS



SPECS

PAPER TRAY

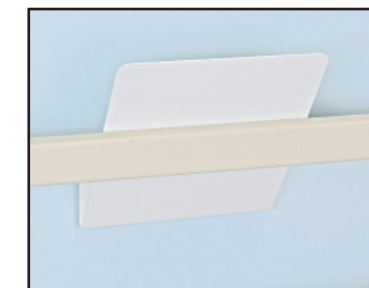


310.8521.WH

FINISH:



OPTIONS



310.8521.WH

FINISHED PRODUCT